



DECO LIGNUM

ORMAN ÜRÜNLERİ



New **SPC** Generation Flooring

7 reasons to start your journey
with Area floors and make our
passion yours;
'improve your 'quality of live'

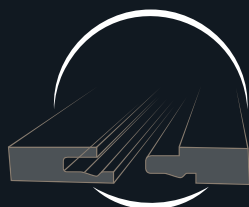
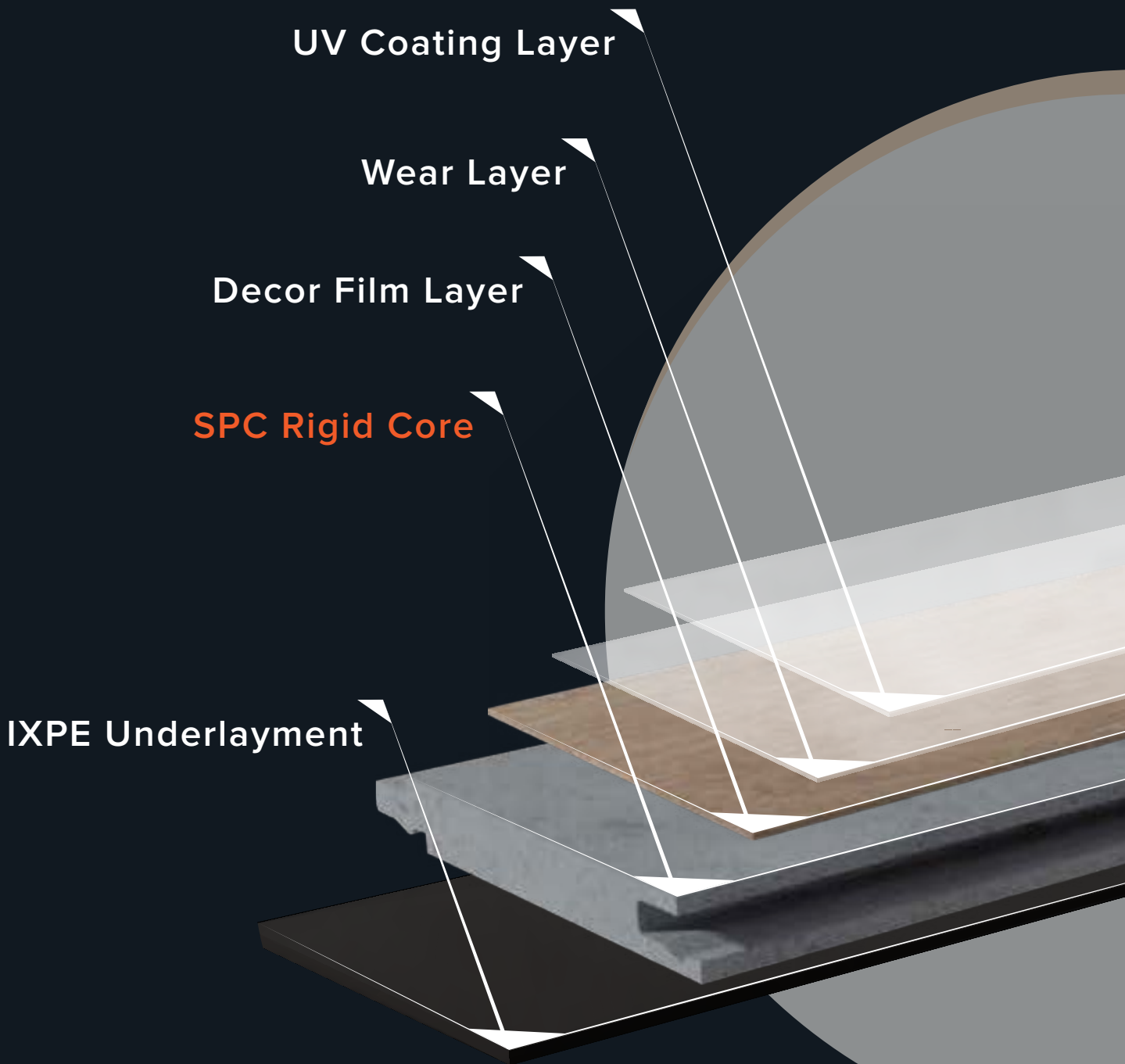
5

Our floors:

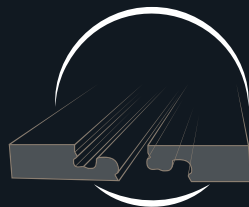
- ✓ Resistant to all challenges of daily live
- ✓ Resistant to deformation in all circumstances
- ✓ Water and fire proof
- ✓ UV resistance
- ✓ Easy to install on any surface without additional costs
- ✓ Suitable for heating and cooling
- ✓ Eco friendly
- ✓ 100 % Recyclable

Diverse & Durable

6



UNICLIC[®]
PATENTED TECHNOLOGY



UNIDROP[®]
PATENTED TECHNOLOGY

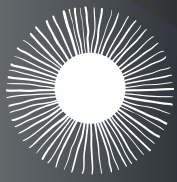
Unique IXPE Foam design – feel the quality

To create the right foundation that improves the customers experience and ease of installation, we have added our specially designed IXPE foam as a fixed underlayer for all of our floors.

With this unique design, our customer can feel and hear the quality; it is softer, warmer, and quieter while enjoying life.

This specially designed softness makes it possible to easily install and this results in perfectly laid out floors.

7



WATERPROOF



QUIET FLOOR



COMFORTABLE



Improved user experience with a warmer and softer touch.



Cost reduction because no need for a separate underlayment



Perfectly laid out floors by eliminating imperfections



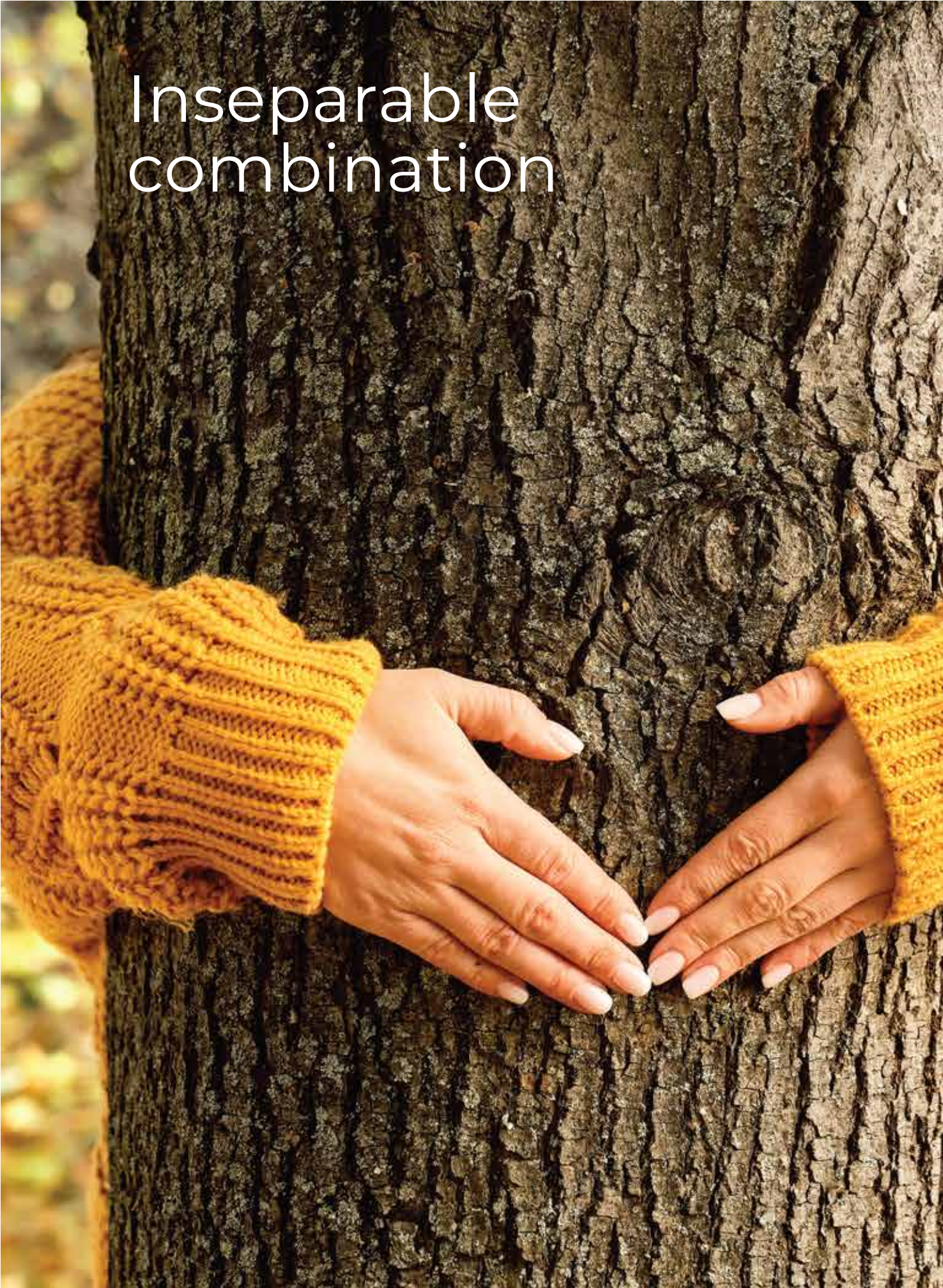
Enhanced noise isolation



Top-class anti bacterial protection



Inseparable combination





100% Waterproof



Extremely Stable



NO Acclimatisation Necessary



Easy Installation



Installation on any Surface



Reduces Noise



Wear Resistant



Pet Friendly



Electrostatic Performance



Ideal for Underfloor Heating & Cooling



Enjoy the synergy of

Perfection of color synergy in the nature inspires us to create floors that brings your home alive.

With area floors you create the perfect synergy with the nature outside and your own style in house. No matter your color preference, the captivating and wide range of 'AREA FLOORS' Spc flooring colors ideally fit any space, interior, and style at your place.

Let your character speak with Area Floors

10



colors from mother nature





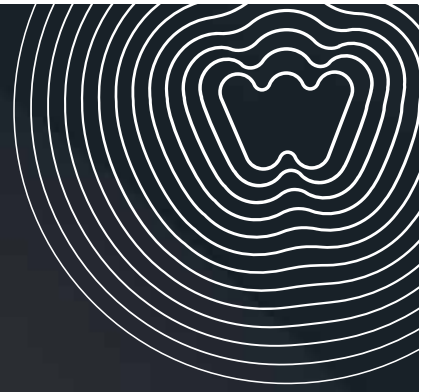
FLOORS COLLECTION



WOOD PREMIUM 2
SPC COLLECTION
10 SKU

WOOD PREMIUM 1
SPC COLLECTION
8 SKU

WOOD | WOOD XL
SPC COLLECTION
10 SKU | 10 SKU



STONE & STONE XL
SPC COLLECTION
8 SKU & 8 SKU



AUTHENTIC

WOOD PREMIUM 1

WOOD PREMIUM 2



6.5 mm

5 mm

6 mm



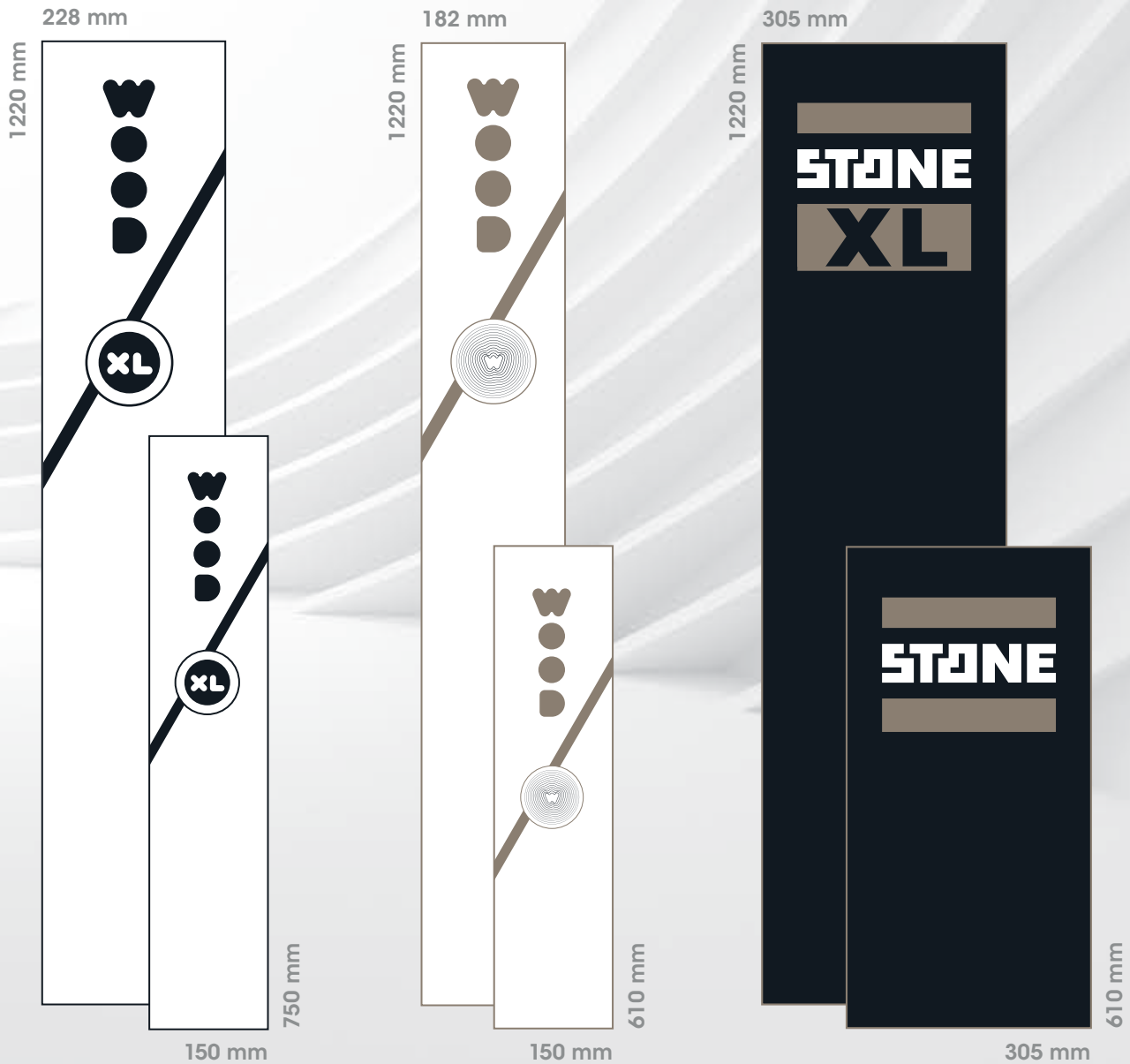
0.55 mm

0.55 mm

0.55 mm

AUTHENTIC		WOOD PREMIUM 1		WOOD PREMIUM 2	
Plank	Herringbone	Plank	Herringbone	Plank	Herringbone
6 pcs	12 pcs	9 pcs	16 pcs	7 pcs	14 pcs
2.08 m ²	1.35 m ²	2.50 m ²	1.46 m ²	1.95 m ²	1.58 m ²
20.79 kg	13.50 kg	20.03 kg	11.71 kg	19.47 kg	15.75 kg

Collection Size



WOOD XL		WOOD		STONE	
5 mm		4 mm		5 mm	4 mm
0.30 mm		0.30 mm		0.30 mm	
Plank	Herringbone	Plank	Herringbone	Stone XL	Stone
9 pcs	16 pcs	11 pcs	20 pcs	6 pcs	11 pcs
2.50 m ²	1.80 m ²	2.44 m ²	1.83 m ²	2.23 m ²	2.05 m ²
20.03 kg	14.40 kg	19.54 kg	14.64 kg	17.86 kg	16.37 kg



W
O
O
D

16

PREMIUM
1

100%
WATERPROOF
SPC
FLOORING



WOOD PREMIUM 1

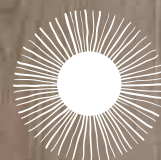
SPC COLLECTION

EMBOSSSED IN REGISTER

WOOD



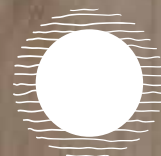
17



WATERPROOF



QUIET FLOOR



COMFORTABLE



101 AUTUMN OAK



P1-101-PL | PLANK
228 X 1220 X 5 mm



P1-101-HB | HERRINGBONE
150 X 610 X 5 mm



102 SUMMER OAK



P1-102-PL | PLANK
228 X 1220 X 5 mm



P1-102-HB | HERRINGBONE
150 X 610 X 5 mm



103 WINTER OAK



P1-103-PL | PLANK
228 X 1220 X 5 mm



P1-103-HB | HERRINGBONE
150 X 610 X 5 mm





104 SPRING OAK



P1-104-PL | PLANK
228 X 1220 X 5 mm



P1-104-HB | HERRINGBONE
150 X 610 X 5 mm





105 VINTAGE OAK



P1-105-PL | PLANK
228 X 1220 X 5 mm



P1-105-HB | HERRINGBONE
150 X 610 X 5 mm



106 COTTON OAK



P1-106-PL | PLANK
228 X 1220 X 5 mm



P1-106-HB | HERRINGBONE
150 X 610 X 5 mm



107 BLACK OAK



P1-107-PL | PLANK
228 X 1220 X 5 mm



P1-107-HB | HERRINGBONE
150 X 610 X 5 mm





108 WHITE OAK



P1-108-PL | PLANK
228 X 1220 X 5 mm



P1-108-HB | HERRINGBONE
150 X 610 X 5 mm





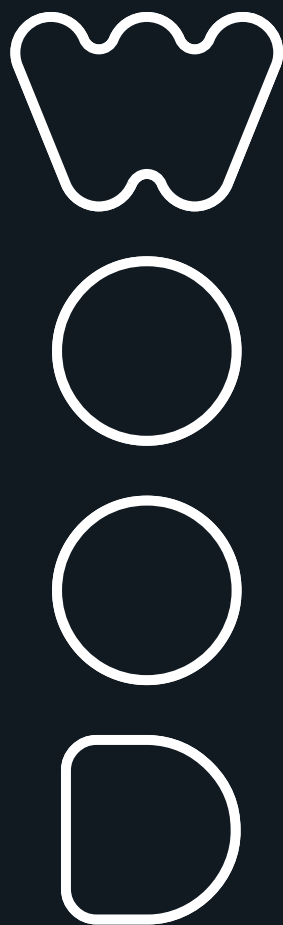
26



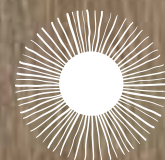
WOOD PREMIUM 2

SPC COLLECTION

EMBOSSED IN REGISTER



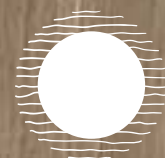
27



WATERPROOF



QUIET FLOOR



COMFORTABLE



111 SEASHORE OAK



P2-111-PL | PLANK
228 X 1220 X 6 mm



P2-111-HB | HERRINGBONE
150 X 750 X 6 mm



112 PEARL OAK



P2-112-PL | PLANK
228 X 1220 X 6 mm



P2-112-HB | HERRINGBONE
150 X 750 X 6 mm

113 SELECT OAK



P2-113-PL | PLANK
228 X 1220 X 6 mm



P2-113-HB | HERRINGBONE
150 X 750 X 6 mm





114 NATURE OAK



P1-114-PL | PLANK
228 X 1220 X 6 mm



P1-114-HB | HERRINGBONE
150 X 750 X 6 mm





115 BOTANIC OAK



P2-115-PL | PLANK
228 X 1220 X 6 mm



P2-115-HB | HERRINGBONE
150 X 750 X 6 mm





116 CLEAR OAK



P2-116-PL | PLANK
228 X 1220 X 6 mm



P2-116-HB | HERRINGBONE
150 X 750 X 6 mm

117 BLOND OAK



P2-117-PL | PLANK
228 X 1220 X 6 mm



P2-117-HB | HERRINGBONE
150 X 750 X 6 mm





118 TAUPE OAK



P1-118-PL | PLANK
228 X 1220 X 6 mm



P1-118-HB | HERRINGBONE
150 X 750 X 6 mm





119 SAHARA OAK



P2-119-PL | PLANK
228 X 1220 X 6 mm



P2-119-HB | HERRINGBONE
150 X 750 X 6 mm



120 STORAGE OAK



P2-120-PL | PLANK
228 X 1220 X 6 mm



P2-120-HB | HERRINGBONE
150 X 750 X 6 mm





W

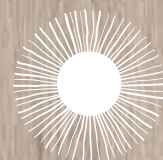
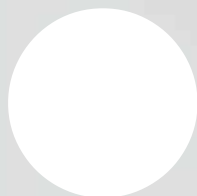


38



WOOD I WOOD XL

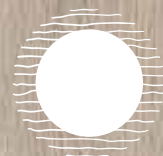
SPC COLLECTION



WATERPROOF



QUIET FLOOR



COMFORTABLE

201 CANYON OAK



W-201-PL | PLANK
182 X 1220 X 4 mm

WXL-201-PL | PLANK
228 X 1220 X 5 mm



W-201-HB | HERRINGBONE
150 X 610 X 4 mm

WXL-201-HB | HERRINGBONE
150 X 750 X 5 mm





202 DOMINICANO OAK



W-201-PL | PLANK
182 X 1220 X 4 mm

WXL-201-PL | PLANK
228 X 1220 X 5 mm



W-201-HB | HERRINGBONE
150 X 610 X 4 mm

WXL-201-HB | HERRINGBONE
150 X 750 X 5 mm



203 HAVANA OAK



WXL-203-PL | PLANK
182 X 1220 X 4 mm

WXL-203-PL | PLANK
228 X 1220 X 5 mm



WXL-203-HB | HERRINGBONE
150 X 610 X 4 mm

WXL-203-HB | HERRINGBONE
150 X 750 X 5 mm





204 SLATE OAK



W-204-PL | PLANK
182 X 1220 X 4 mm

WXL-204-PL | PLANK
228 X 1220 X 5 mm



W-204-HB | HERRINGBONE
150 X 610 X 4 mm

WXL-204-HB | HERRINGBONE
150 X 750 X 5 mm



205 BOSLAND OAK



W-205-PL | PLANK
182 X 1220 X 4 mm

WXL-201-PL | PLANK
228 X 1220 X 5 mm



W-205-HB | HERRINGBONE
150 X 610 X 4 mm

WXL-201-HB | HERRINGBONE
150 X 750 X 5 mm





206 VALLEY OAK



W-206-PL | PLANK
182 X 1220 X 4 mm

WXL-206-PL | PLANK
228 X 1220 X 5 mm



W-206-HB | HERRINGBONE
150 X 610 X 4 mm

WXL-206-HB | HERRINGBONE
150 X 750 X 5 mm



207 DESERT OAK



WXL-207-PL | PLANK
182 X 1220 X 4 mm

WXL-207-PL | PLANK
228 X 1220 X 5 mm



WXL-207-HB | HERRINGBONE
150 X 610 X 4 mm

WXL-207-HB | HERRINGBONE
150 X 750 X 5 mm





208 WALNUT OAK



W-208-PL | PLANK
182 X 1220 X 4 mm

WXL-208-PL | PLANK
228 X 1220 X 5 mm



W-208-HB | HERRINGBONE
150 X 610 X 4 mm

WXL-208-HB | HERRINGBONE
150 X 750 X 5 mm



209 SCRAPED OAK



W-209-PL | PLANK
182 X 1220 X 4 mm

WXL-209-PL | PLANK
228 X 1220 X 5 mm



W-209-HB | HERRINGBONE
150 X 610 X 4 mm

WXL-209-HB | HERRINGBONE
150 X 750 X 5 mm





210 CAMBRIDGE OAK



W-210-PL | PLANK
182 X 1220 X 4 mm

WXL-210-PL | PLANK
228 X 1220 X 5 mm



W-210-HB | HERRINGBONE
150 X 610 X 4 mm

WXL-210-HB | HERRINGBONE
150 X 750 X 5 mm

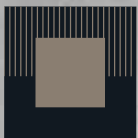
STONE

STONE

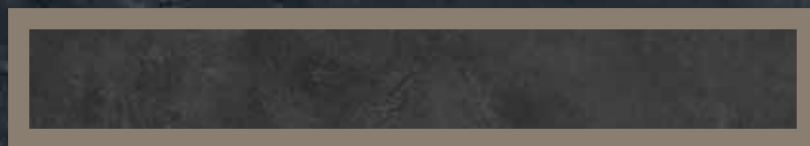
XL

50

STONE & STONE XL COLLECTION



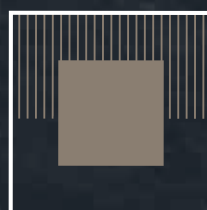
STONE & STONE XL SPC COLLECTION



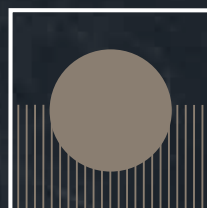
STONE



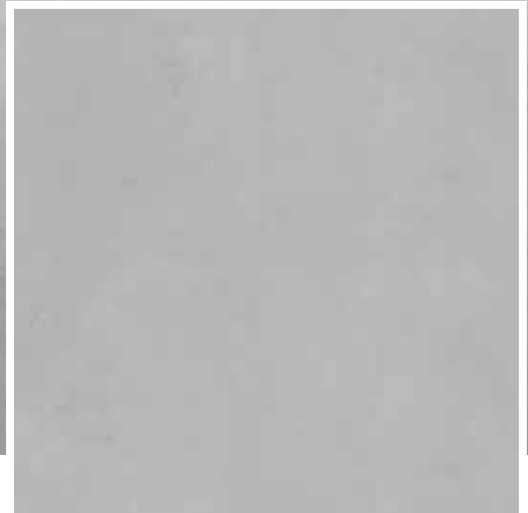
WATERPROOF



QUIET FLOOR



COMFORTABLE



801 CONCRETE LIGHT



S-801
305 X 610 X 4 mm



S-801-XL
305 X 1220 X 5 mm





802 CONCRETE SAND



S-802
305 X 610 X 4 mm



S-802-XL
305 X 1220 X 5 mm

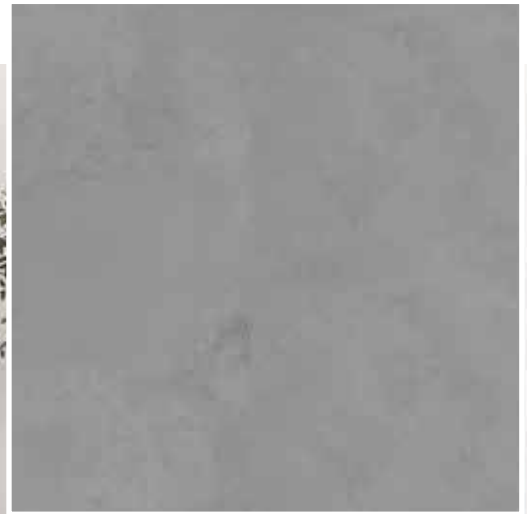
803 CONCRETE GREY



S-803
305 X 610 X 4 mm



S-803-XL
305 X 1220 X 5 mm





804 CONCRETE DARK



S-804
305 X 610 X 4 mm



S-804-XL
305 X 1220 X 5 mm





805 CARRARA MARMOR



S-805
305 X 610 X 4 mm



S-805-XL
305 X 1220 X 5 mm



806 BOTTICINO LIGHT



S-806
305 X 610 X 4 mm



S-806-XL
305 X 1220 X 5 mm

807 MONREAL SLATE



S-807
305 X 610 X 4 mm



S-807-XL
305 X 1220 X 5 mm





808 BOTTICINO DARK





S-808
305 X 610 X 4 mm



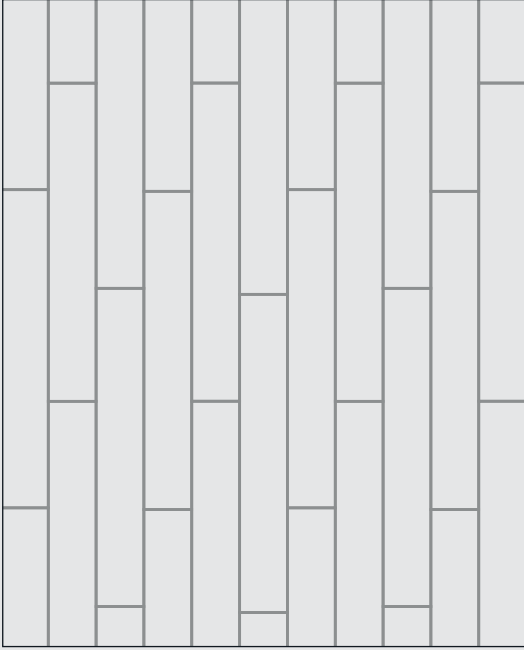
S-808-XL
305 X 1220 X 5 mm



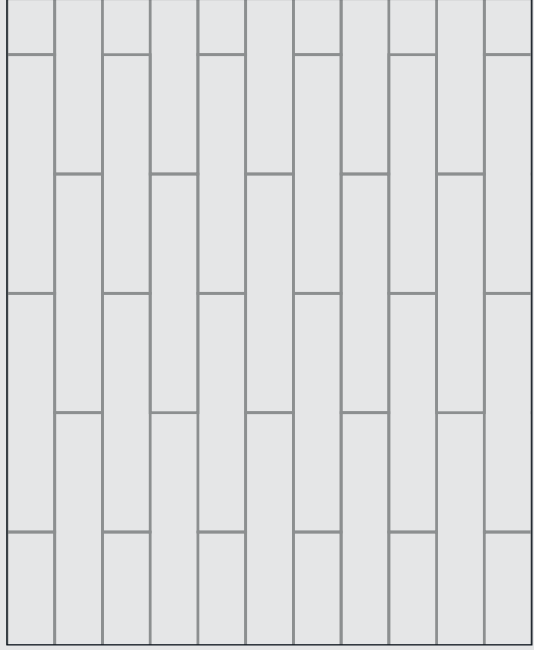
		SQ Number	Length (mm)	Width (mm)	Thickness (mm)			Pieces box	M ² box	Weight box (kg)		
WOOD PREMIUM 1	PLANK	Autumn Oak	P1-101-PL	1220	228	5	●	●	9	2.50	20.20	
		Summer Oak	P1-102-PL	1220	228	5	●	●	9	2.50	20.20	
		Winter Oak	P1-103-PL	1220	228	5	●	●	9	2.50	20.20	
		Spring Oak	P1-104-PL	1220	228	5	●	●	9	2.50	20.20	
		Vintage Oak	P1-105-PL	1220	228	5	●	●	9	2.50	20.20	
		Cotton Oak	P1-106-PL	1220	228	5	●	●	9	2.50	20.20	
		Black Oak	P1-107-PL	1220	228	5	●	●	9	2.50	20.20	
		White Oak	P1-108-PL	1220	228	5	●	●	9	2.50	20.20	
		HERRINGBONE	Autumn Oak	P1-101-HB	610	150	5	●	●	16	1.46	11.90
	Summer Oak		P1-102-HB	610	150	5	●	●	16	1.46	11.90	
	Winter Oak		P1-103-HB	610	150	5	●	●	16	1.46	11.90	
	Spring Oak		P1-104-HB	610	150	5	●	●	16	1.46	11.90	
	Vintage Oak		P1-105-HB	610	150	5	●	●	16	1.46	11.90	
	Cotton Oak		P1-106-HB	610	150	5	●	●	16	1.46	11.90	
	Black Oak		P1-107-HB	610	150	5	●	●	16	1.46	11.90	
	White Oak		P1-108-HB	610	150	5	●	●	16	1.46	11.90	
	WOOD PREMIUM 2		PLANK	Seashore Oak	P2-111-PL	1220	228	6	●	●	7	1.94
		Pearl Oak		P2-112-PL	1220	228	6	●	●	7	1.94	19.80
Select Oak		P2-113-PL		1220	228	6	●	●	7	1.94	19.80	
Nature Oak		P2-114-PL		1220	228	6	●	●	7	1.94	19.80	
Botanic Oak		P2-115-PL		1220	228	6	●	●	7	1.94	19.80	
Clear Oak		P2-116-PL		1220	228	6	●	●	7	1.94	19.80	
Blond Oak		P2-117-PL		1220	228	6	●	●	7	1.94	19.80	
Taupe Oak		P2-118-PL		1220	228	6	●	●	7	1.94	19.80	
Sahara Oak		P2-119-PL		1220	228	6	●	●	7	1.94	19.80	
Storage Oak		P2-120-PL		1220	228	6	●	●	7	1.94	19.80	
HERRINGBONE		Seashore Oak		P2-111-HB	750	150	6	●	●	14	1.57	15.90
		Pearl Oak		P2-112-HB	750	150	6	●	●	14	1.57	15.90
	Select Oak	P2-113-HB	750	150	6	●	●	14	1.57	15.90		
	Nature Oak	P2-114-HB	750	150	6	●	●	14	1.57	15.90		
	Botanic Oak	P2-115-HB	750	150	6	●	●	14	1.57	15.90		
	Clear Oak	P2-116-HB	750	150	6	●	●	14	1.57	15.90		
	Blond Oak	P2-117-HB	750	150	6	●	●	14	1.57	15.90		
	Taupe Oak	P2-118-HB	750	150	6	●	●	14	1.57	15.90		
	Sahara Oak	P2-119-HB	750	150	6	●	●	14	1.57	15.90		
	Storage Oak	P2-120-HB	750	150	6	●	●	14	1.57	15.90		
	WOOD	PLANK	Canyon Oak	W-201-PL	1220	182	4			11	2.44	19.60
			Dominicano Oak	W-202-PL	1220	182	4			11	2.44	19.60
Havana Oak			W-203-PL	1220	182	4			11	2.44	19.60	
Slate Oak			W-204-PL	1220	182	4			11	2.44	19.60	
Bosland Oak			W-205-PL	1220	182	4			11	2.44	19.60	
Valley Oak			W-206-PL	1220	182	4			11	2.44	19.60	
Desert Oak			W-207-PL	1220	182	4			11	2.44	19.60	
Walnut Oak			W-208-PL	1220	182	4			11	2.44	19.60	
Scraped Oak			W-209-PL	1220	182	4			11	2.44	19.60	
Cambridge Oak			W-210-PL	1220	182	4			11	2.44	19.60	
HERRINGBONE		Canyon Oak	W-201-HB	610	150	4	●		20	1.83	14.70	
		Dominicano Oak	W-202-HB	610	150	4	●		20	1.83	14.70	
		Havana Oak	W-203-HB	610	150	4	●		20	1.83	14.70	
		Slate Oak	W-204-HB	610	150	4	●		20	1.83	14.70	
		Bosland Oak	W-205-HB	610	150	4	●		20	1.83	14.70	
		Valley Oak	W-206-HB	610	150	4	●		20	1.83	14.70	
		Desert Oak	W-207-HB	610	150	4	●		20	1.83	14.70	
		Walnut Oak	W-208-HB	610	150	4	●		20	1.83	14.70	
		Scraped Oak	W-209-HB	610	150	4	●		20	1.83	14.70	
		Cambridge Oak	W-210-HB	610	150	4	●		20	1.83	14.70	
WOOD XL	PLANK	Canyon Oak	WXL-201-PL	1220	182	5			9	1.94	20.20	
		Dominicano Oak	WXL-202-PL	1220	182	5			9	1.94	20.20	
		Havanna Oak	WXL-203-PL	1220	182	5			9	1.94	20.20	
		Slate Oak	WXL-204-PL	1220	182	5			9	1.94	20.20	
		Bosland Oak	WXL-205-PL	1220	182	5			9	1.94	20.20	
		Valley Oak	WXL-206-PL	1220	182	5			9	1.94	20.20	
		Desert Oak	WXL-207-PL	1220	182	5			9	1.94	20.20	
		Walnut Oak	WXL-208-PL	1220	182	5			9	1.94	20.20	
		Scraped Oak	WXL-209-PL	1220	182	5			9	1.94	20.20	
		Cambridge Oak	WXL-210-PL	1220	182	5			9	1.94	20.20	
	HERRINGBONE	Canyon Oak	WXL-201-HB	610	150	5	●		16	1.57	14.63	
		Dominicano Oak	WXL-202-HB	610	150	5	●		16	1.57	14.63	
		Havanna Oak	WXL-203-HB	610	150	5	●		16	1.57	14.63	
		Slate Oak	WXL-204-HB	610	150	5	●		16	1.57	14.63	
		Bosland Oak	WXL-205-HB	610	150	5	●		16	1.57	14.63	
		Valley Oak	WXL-206-HB	610	150	5	●		16	1.57	14.63	
		Desert Oak	WXL-207-HB	610	150	5	●		16	1.57	14.63	
		Walnut Oak	WXL-208-HB	610	150	5	●		16	1.57	14.63	
		Scraped Oak	WXL-209-HB	610	150	5	●		16	1.57	14.63	
		Cambridge Oak	WXL-210-HB	610	150	5	●		16	1.57	14.63	
STONE	PLANK	Autumn Oak	P1-101-PL	1220	228	5			8	2.23	23.80	
		Summer Oak	P1-102-PL	1220	228	5			8	2.23	23.80	
		Winter Oak	P1-103-PL	1220	228	5			8	2.23	23.80	
		Spring Oak	P1-104-PL	1220	228	5			8	2.23	23.80	
		Vintage Oak	P1-105-PL	1220	228	5			8	2.23	23.80	
		Cotton Oak	P1-106-PL	1220	228	5			8	2.23	23.80	
		Black Oak	P1-107-PL	1220	228	5			8	2.23	23.80	
		White Oak	P1-108-PL	1220	228	5			8	2.23	23.80	
		PLANK	Autumn Oak	P1-101-HB	610	150	5			6	2.94	18.10
	Summer Oak		P1-102-HB	610	150	5			6	2.94	18.10	
	Winter Oak		P1-103-HB	610	150	5			6	2.94	18.10	
	Spring Oak		P1-104-HB	610	150	5			6	2.94	18.10	
	Vintage Oak		P1-105-HB	610	150	5			6	2.94	18.10	
	Cotton Oak		P1-106-HB	610	150	5			6	2.94	18.10	
	Black Oak		P1-107-HB	610	150	5			6	2.94	18.10	
	White Oak		P1-108-HB	610	150	5			6	2.94	18.10	

Plank Series variations

RANDOM

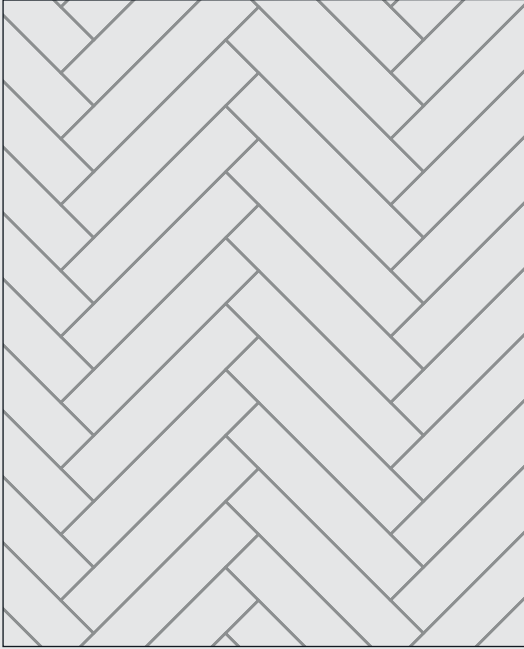


BRICK

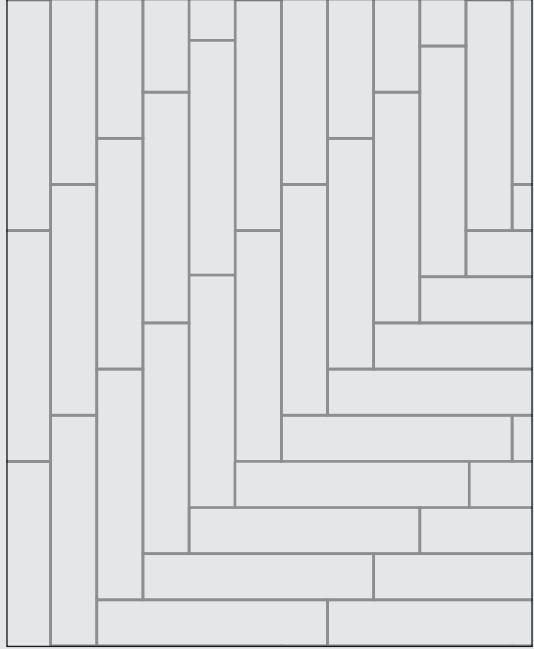


Herringbone Series variations

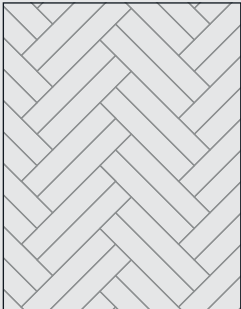
SINGLE



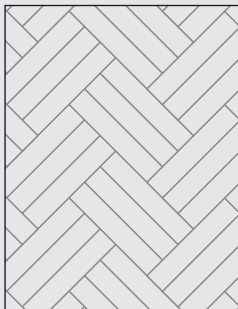
CORNER



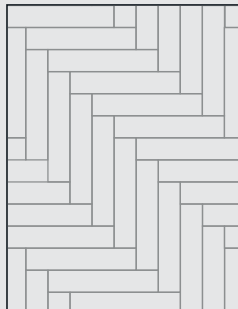
DOUBLE



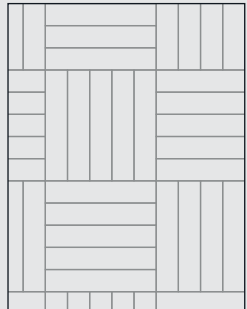
TRIPLE



SQUARE



MOSAIC





WOOD PREMIUM 1

SPC COLLECTION

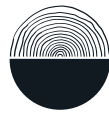
WOOD PREMIUM 1 Floors are not only looking like real solid wood, they feel like it.

Thanks to our perfectly established top layers, you will experience all details and structure when you touch the material.

You will notice the remarkable overall layout in differences between the boards, which provide the most natural look a floor can visually establish.



WATERPROOF



QUIET FLOOR



COMFORTABLE

TECHNICAL SPECIFICATIONS

PLANK

FLOORING MODEL	DECOR		MEASUREMENT (mm)	WEARLAYER	UNDERLAY	THICKNESS (mm)
			228 X 1220	0,55	YES	5
	EDGE	SURFACE	LOCKING SYSTEM	PACKAGE (m ²)	PALETTE (m ²)	CONTAINER 20'
MICRO BEVEL	EMBOSSSED IN REGISTER		9 X =2.50 m ² =20.03 Kg	64 X =160.22 m ² =1,281.76 Kg	20 X =3,204.40 m ² =25,635.23 Kg	20

HERRINGBONE

FLOORING MODEL	DECOR		MEASUREMENT (mm)	WEARLAYER	UNDERLAY	THICKNESS (mm)
			150 X 610	0,55	YES	5
	EDGE	SURFACE	LOCKING SYSTEM	PACKAGE (m ²)	PALETTE (m ²)	CONTAINER 20'
MICRO BEVEL	EMBOSSSED IN REGISTER		16 X =1.46 m ² =13.71 Kg	108 X =158.11 m ² =1,264.90 Kg	20 X =3,162.24 m ² =25,297.92 Kg	20



WOOD PREMIUM 2

SPC COLLECTION

WOOD PREMIUM 2 Floors are not only looking like real solid wood, they feel like it.

Thanks to our perfectly established top layers, you will experience all details and structure when you touch the material.

You will notice the remarkable overall layout in differences between the boards, which provide the most natural look a floor can visually establish.



WATERPROOF



QUIET FLOOR



COMFORTABLE

TECHNICAL SPECIFICATIONS

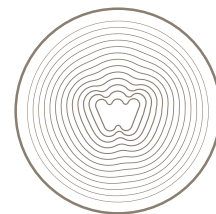
PLANK

FLOORING MODEL	DECOR		MEASUREMENT (mm)	WEARLAYER	UNDERLAY	THICKNESS (mm)
			228X1220	0,55	YES	6
	EDGE	SURFACE	LOCKING SYSTEM	PACKAGE (m ²)	PALETTE (m ²)	CONTAINER 20'
MICRO BEVEL	EMBOSSSED IN REGISTER		7 X =1.95 m ² =19.47 Kg	64 X =124.62 m ² =1,246.16 Kg	20 X =2,492.31 m ² =24,923.14 Kg	20

HERRINGBONE

FLOORING MODEL	DECOR		MEASUREMENT (mm)	WEARLAYER	UNDERLAY	THICKNESS (mm)
			150X750	0,55	YES	6
	EDGE	SURFACE	LOCKING SYSTEM	PACKAGE (m ²)	PALETTE (m ²)	CONTAINER 20'
MICRO BEVEL	EMBOSSSED IN REGISTER		14 X =1.58 m ² =15.75 Kg	70 X =110.25 m ² =1,102.50 Kg	20 X =2,425.50 m ² =24,255.00 Kg	20

WOOD XL



SPC COLLECTION

Wood XL Floors are not only looking like real solid wood, they feel like it.

Thanks to our perfectly established top layers, you will experience all details and structure when you touch the material.

You will notice the remarkable overall layout in differences between the boards, which provide the most natural look a floor can visually establish.



WATERPROOF



QUIET FLOOR



COMFORTABLE

TECHNICAL SPECIFICATIONS

PLANK

FLOORING MODEL	DECOR		MEASUREMENT (mm)	WEARLAYER	UNDERLAY	THICKNESS (mm)
 WOOD XL PLANK			228X1220	0,30	YES	5
EDGE	SURFACE	LOCKING SYSTEM	PACKAGE (m ²)	PALETTE (m ²)	CONTAINER 20'	WARRANTY (Year)
MICRO BEVEL	STANDARD	 UNICLIC PATENTED TECHNOLOGY	9 X =2.50 m ² =20.03 Kg	64 X =160.22 m ² =1,281.76 Kg	20 X =3,204.40 m ² =25,635.23 Kg	15

HERRINGBONE

FLOORING MODEL	DECOR		MEASUREMENT (mm)	WEARLAYER	UNDERLAY	THICKNESS (mm)
 WOOD XL HERRINGBONE			150X750	0,30	YES	5
EDGE	SURFACE	LOCKING SYSTEM	PACKAGE (m ²)	PALETTE (m ²)	CONTAINER 20'	WARRANTY (Year)
MICRO BEVEL	STANDARD	 UNIDROP PATENTED TECHNOLOGY	16 X =1.80 m ² =14.40 Kg	77 X =138.60 m ² =1,108.80 Kg	20 X =3,049.20 m ² =24,393.60 Kg	15

STONE & STONE XL

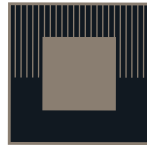
SPC COLLECTION

THE STONES COLLECTION LETS US COMBINE THE OUTRAGEDOUSNESS AND THOUGHTFULNESS IN ALL OF THE DECORS IN THIS RANGE.

IMMEDIATELY YOU WILL NOTICE THE MODERN STRUCTURE DETAILS AND THE WILD LOOKS OF THE STONES. IN BOTH WAYS, WE HAVE FOUND THE YIN-YANG IN EXPOSING THE FEELINGS OF NATURE AND THE SIMPLICITY OF URBAN LIVING.



WATERPROOF




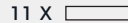







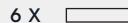


QUIET FLOOR



COMFORTABLE

TECHNICAL SPECIFICATIONS

FLOORING MODEL	DECOR		MEASUREMENT (mm)	WEARLAYER	UNDERLAY	THICKNESS (mm)
			305 X 610	0,30	NO	4
EDGE	SURFACE	LOCKING SYSTEM	PACKAGE (m ²)	PALETTE (m ²)	CONTAINER 20'	WARRANTY (Year)
MICRO BEVEL	STANDARD		11 X  =2.05 m ² =16.37 Kg	78 X  =159.63 m ² =1,277.05 Kg	20 X  =3,192.624 m ² =25,540.94 Kg	15

FLOORING MODEL	DECOR		MEASUREMENT (mm)	WEARLAYER	UNDERLAY	THICKNESS (mm)
			305 X 1220	0,30	YES	5
EDGE	SURFACE	LOCKING SYSTEM	PACKAGE (m ²)	PALETTE (m ²)	CONTAINER 20'	WARRANTY (Year)
MICRO BEVEL	STANDARD		6 X  =2.05 m ² =16.37 Kg	78 X  =160.747 m ² =1,303.20 Kg	20 X  =3,214.94 m ² =26,064.00 Kg	15



DECO LIGNUM

ORMAN ÜRÜNLERİ

Office Adres: Yeşilirmak Caddesi No:10 Kat 2/5 Azizoglu Plaza KEPEZ / ANTALYA

Gsm: +90 533 594 06 76 / 0542 480 0765

E-Posta: info@decolignum.com.tr

www.decolignum.com

