



DECO LIGNUM

ORMAN ÜRÜNLERİ

www.decolignum.com

Metali Transparent Corner Fittings



Code	Colour	Pcs/Box	Pcs/Package	Package Weight	Pcs/Pallet	Pallet Weight
2002.0	Transparent	100	1.800	20,5 kg	64.800	755 kg
2002.1	White	100	1.800	20,5 kg	64.800	755 kg

100% unbreakable corner fitting

Colour choices are transparent and white in harmony with the furniture

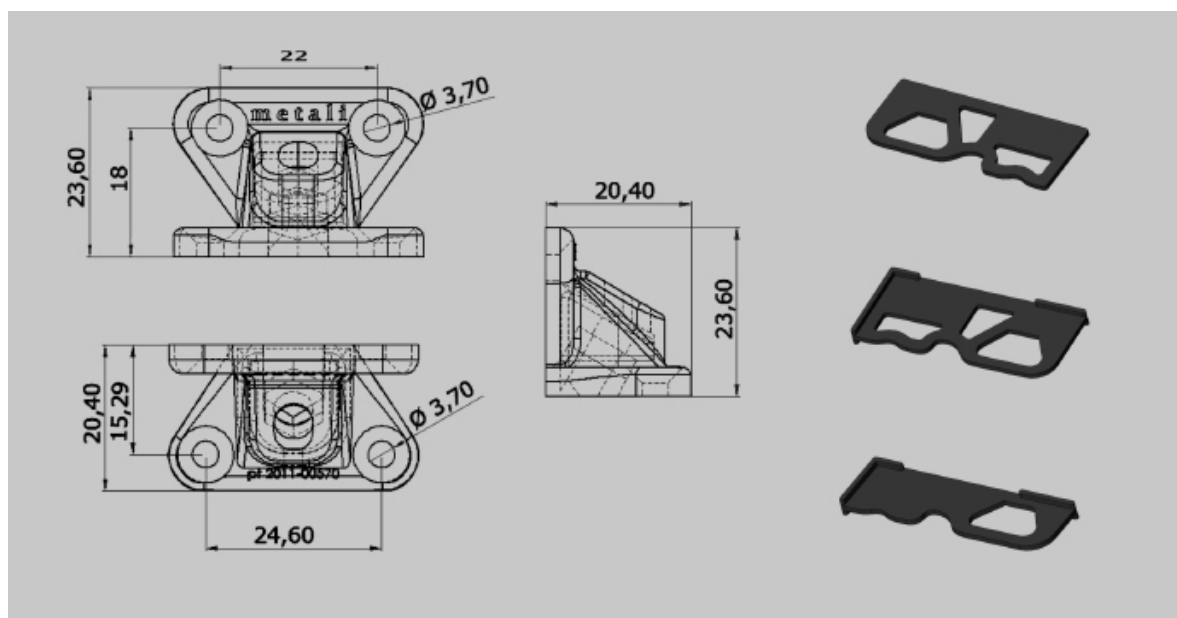
Angled design allows easy screwing

Easy fixing and connecting through its bolt

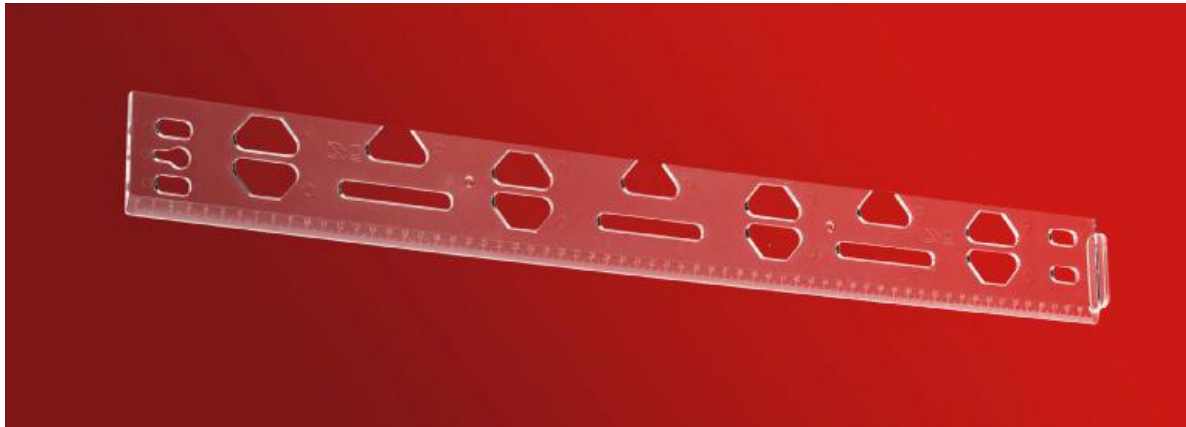
Easy and standard connection by using assembly template

Unbreakable, rustproof corner fitting

Patent No: 2011-00570



Installation Template

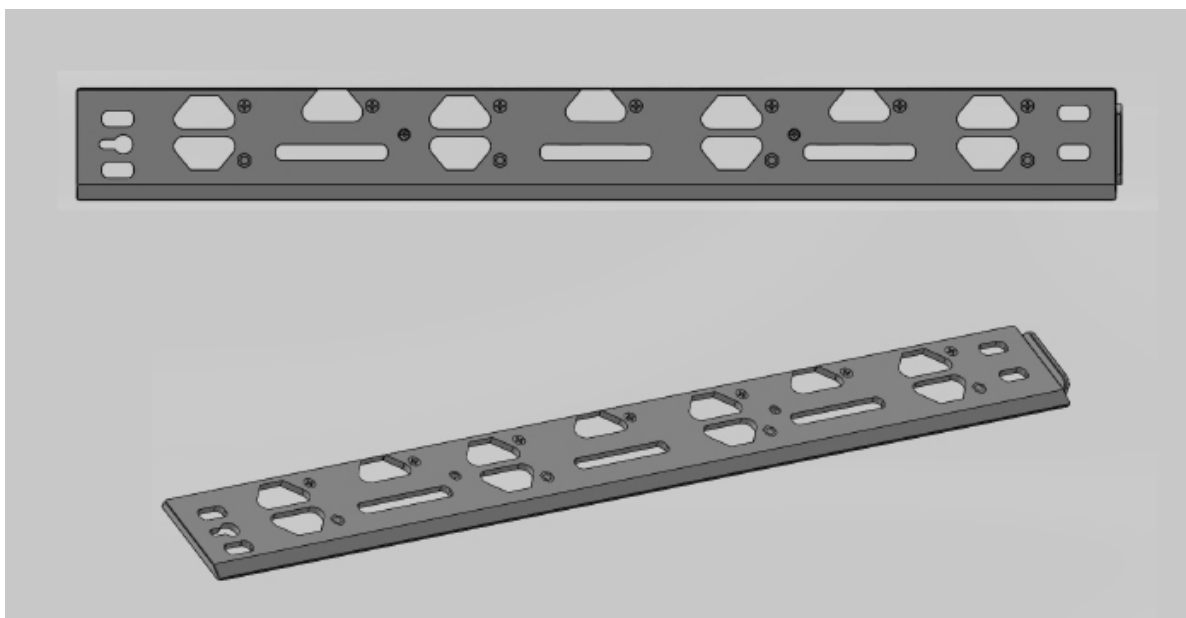


Code	Colour	Pcs/Box	Box Weight
2100	Transparent	20	4,25 kg

Assembly template for Metali Corner Fitting

Easy and standard connection by using assembly template

Length 65 cm



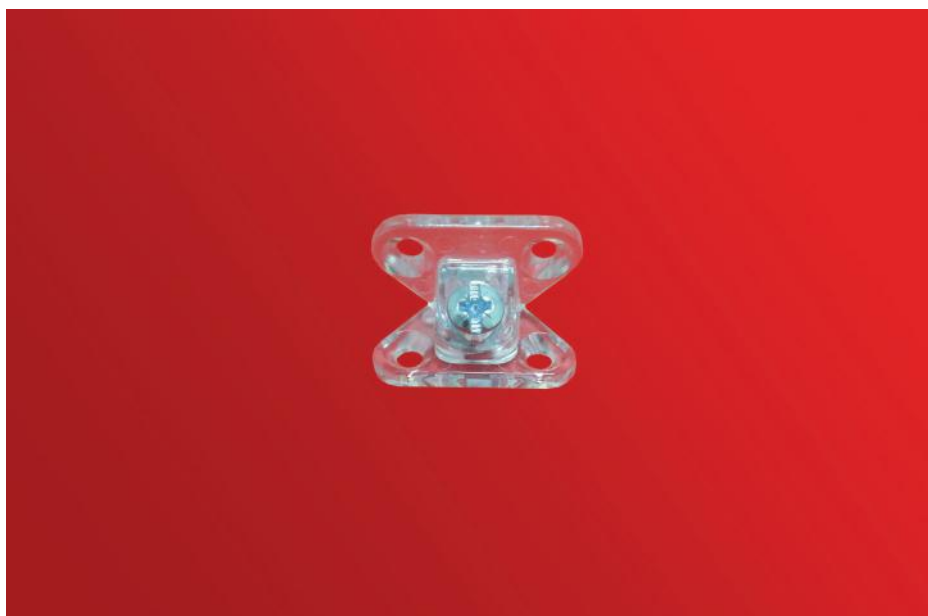
Corner Fittings (32 mm Drilling)



Code	Colour	Pcs/Box	Pcs/Package	Package Weight	Pcs/Pallet
2001.0	Transparent	100	1.800	23,6 kg	64.800

Mini Corner Fittings

Code	Colour	Pcs/Box	Pcs/Package	Package Weight	Pcs/Pallet
2000	Transparent	100	3.000	27,5 kg	72.000



Plastic Corner Fittings



Code	Colour	Pcs/Box	Pcs/Package	Package Weight	Pcs/Pallet
2004.1	White Brown Cream	100	700	10,50 kg	35.000

T Corner Fittings

Code	Colour	Pcs/Box	Pcs/Package	Package Weight
2005	Zinc	100	1.500	23 kg



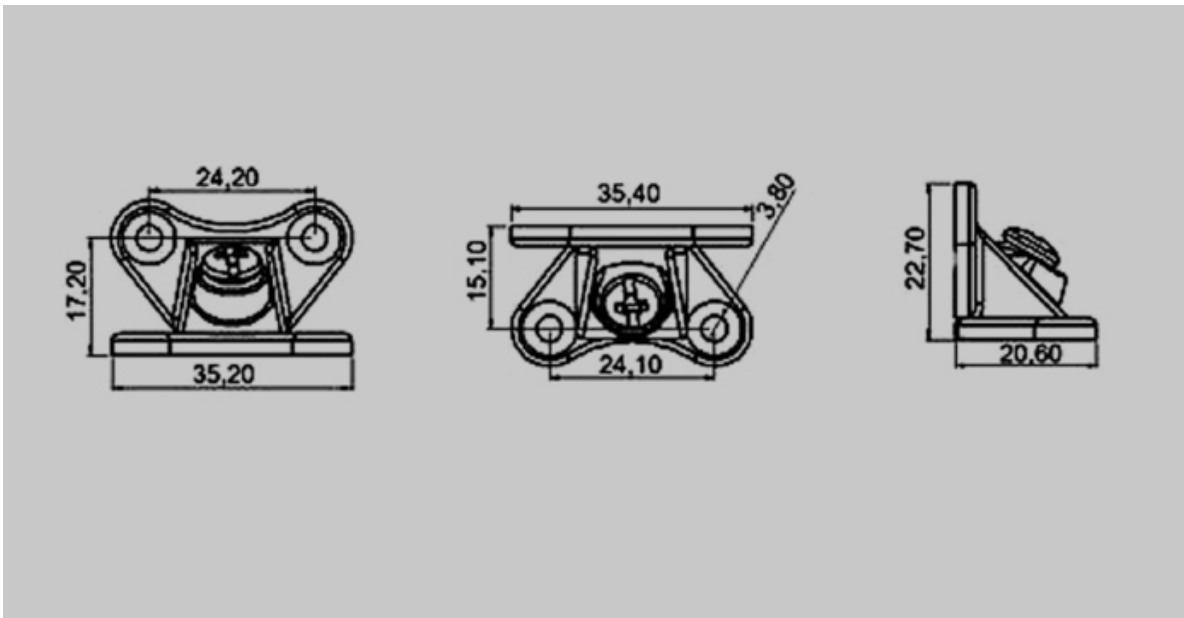
Zamac Corner Fittings



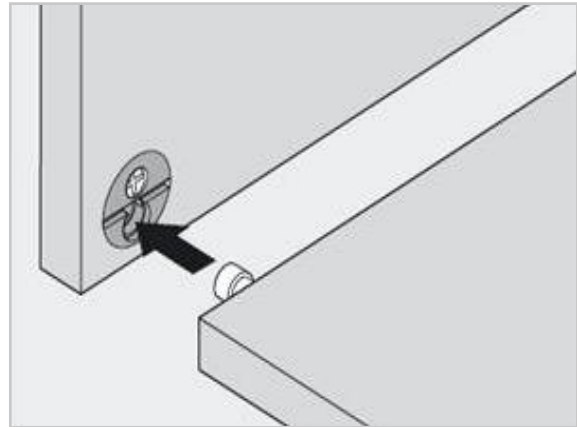
Code	Colour	Pcs/Box	Pcs/Package	Package Weight	Pcs/Pallet
2003	Zinc	100	1.000	22,5 kg	30.000

Zamac T connection

Angled design allows easy assembly



Connection Fittings



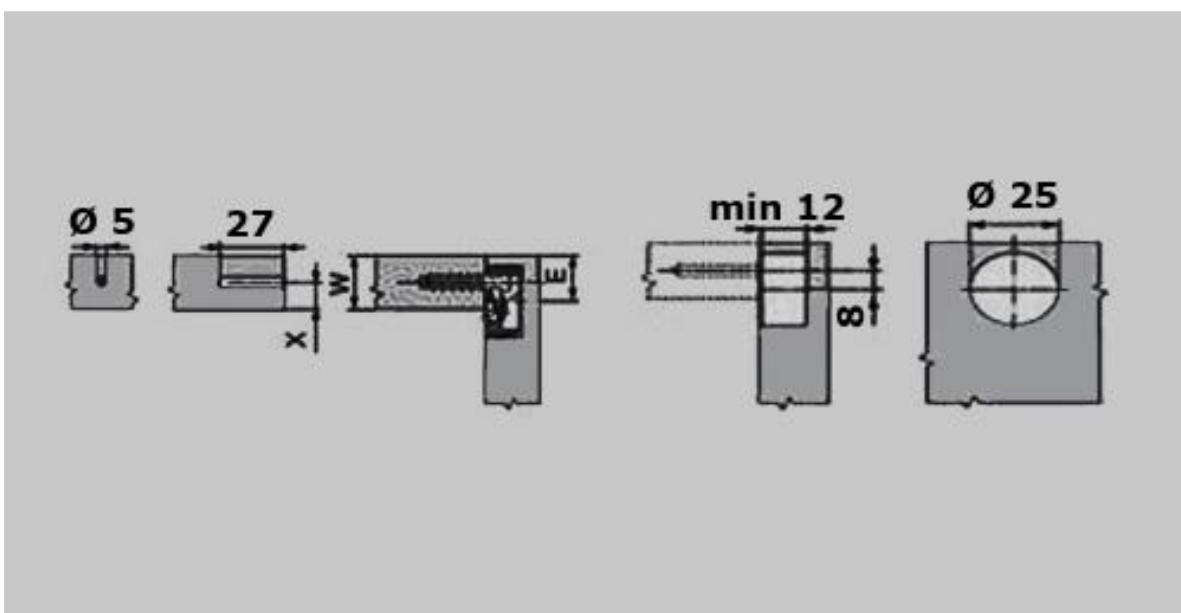
Code	Colour	Pcs/Box	Pcs/Package	Package Weight
9006	White Cream Brown	500	1.500	18 kg

Panel Connection Fitting

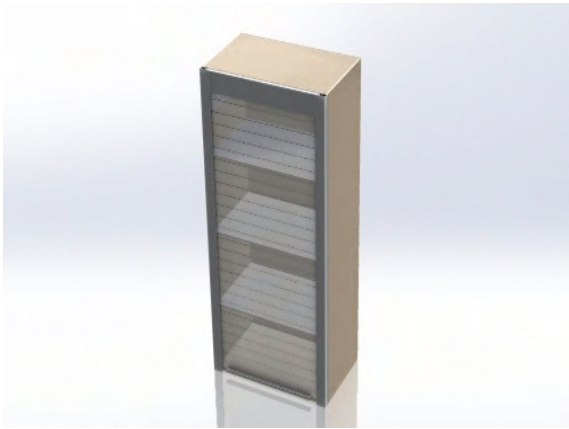
Demountable system. Can be disassembled

Consists of plastic, metal and zinc parts

2 types: open and closed

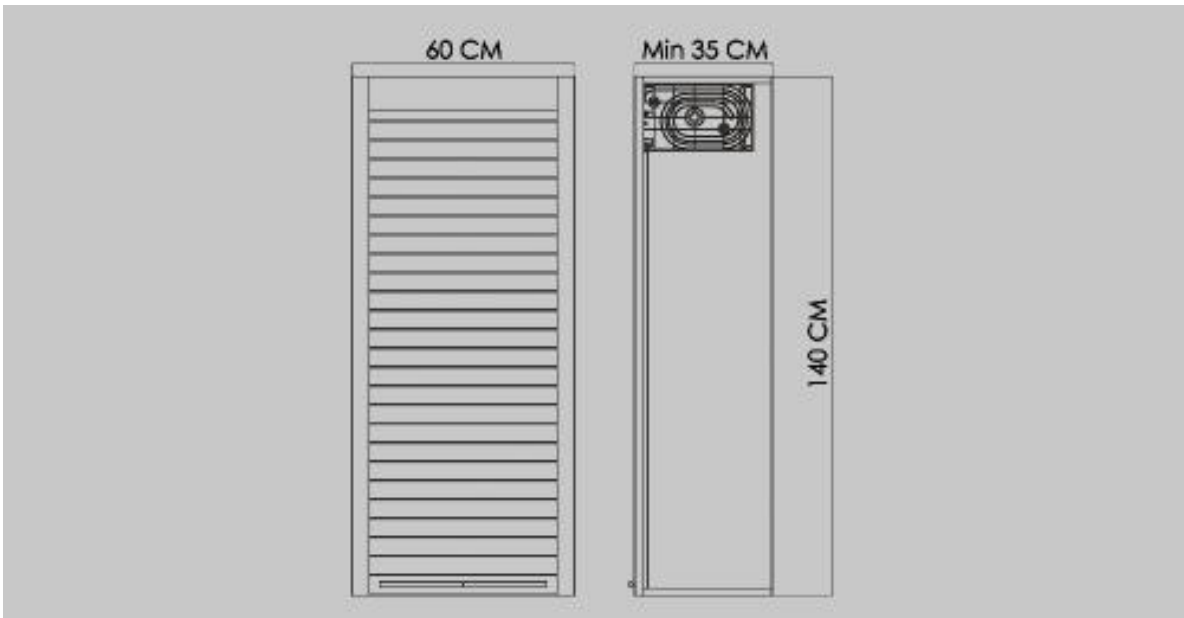


Glass Roller Shutter

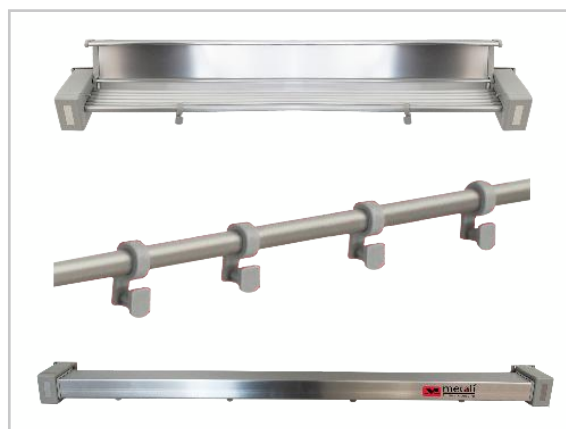


Code	Colour	Size	Pcs/Box	Box Weight
7010	Transparent White Black	60x140 cm	1	10 kg

Glass Shutter System
Size: 60 x 140 cm
Transparent, white and black colors
3 mm tempered glass



Telescopic Clothes Dryer



Code	Colour	Size	Pcs/Box	Box Weight
7000	Grey	60 cm	1	1,15 kg
7001	Grey	80 cm	1	1,45 kg
7002	Grey	100 cm	1	1,65 kg

Folding stylish design

Suitable for small places

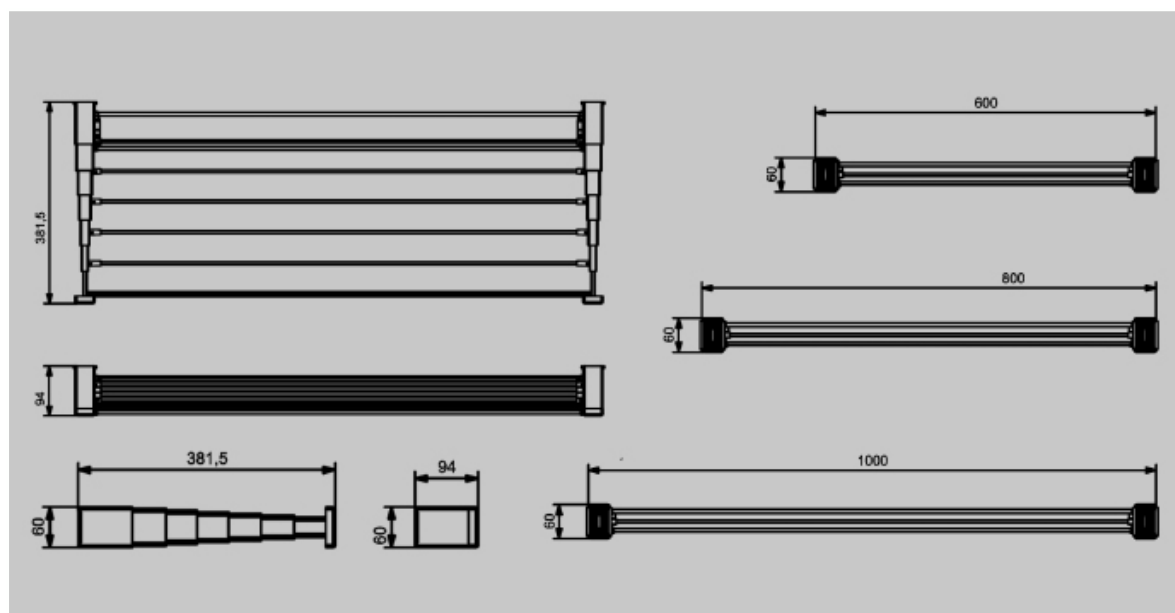
Prolongable from 8 cm to 39 cm

6 pcs drying bars, 4 pcs hooks, screw and dowel for assembly

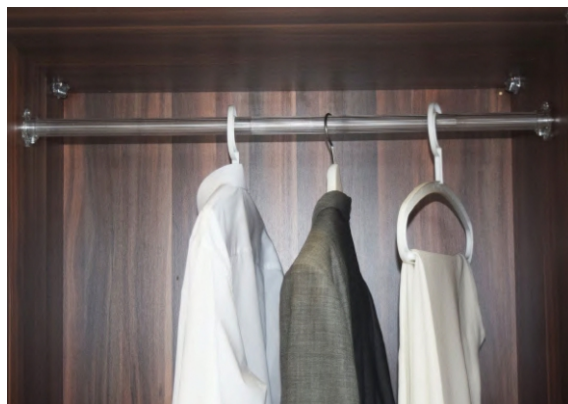
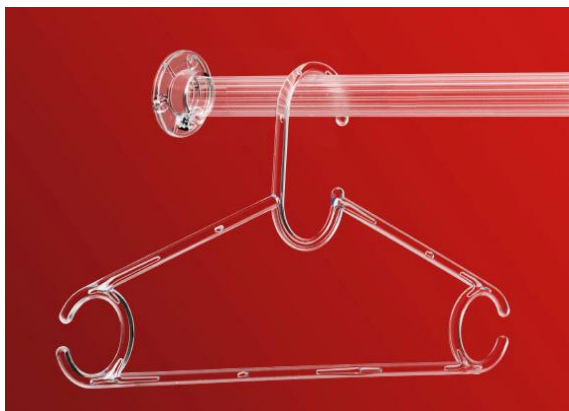
3 sizes: 60 cm, 80 cm, 100 cm

Capacity: 60 cm = 1,2 kg / 80 cm = 1,5 kg / 100 cm = 1,8 kg

Durable against wear



Hanger Tube



Code	Colour	Pcs/Box	Box Weight	Pcs/Package	Package Weight
4001	Transparent	25	1,95 kg	300	24,5 kg

Modular hanger tube

30 cm pieces can be added to each other

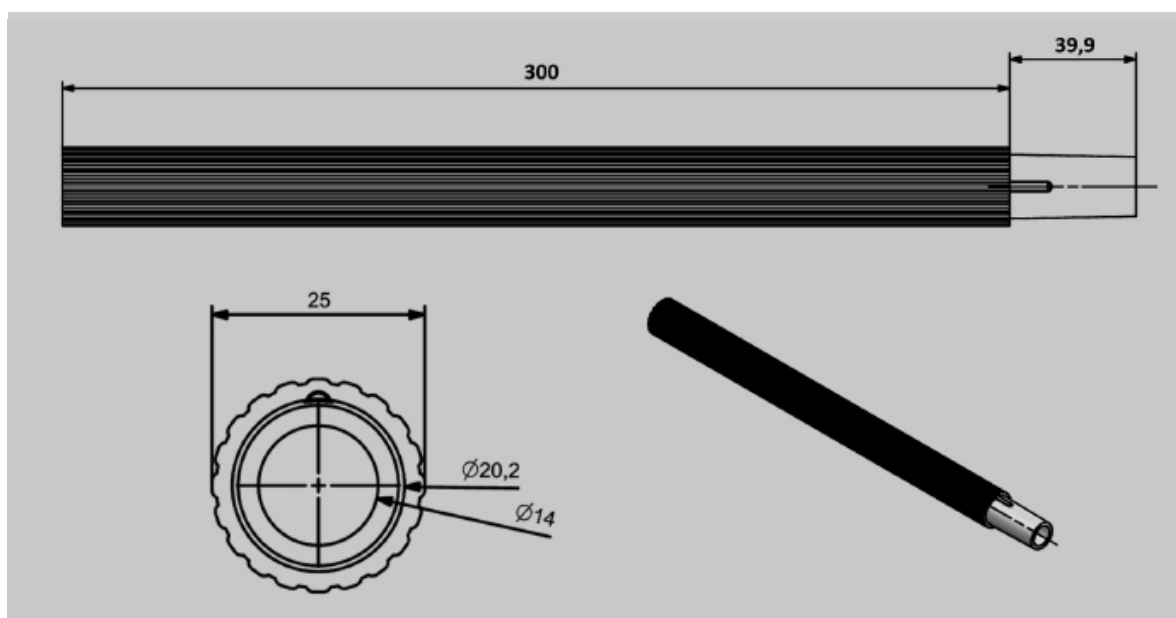
It can be cut and fix according to the wanted length

Stainless, decorative, chic, hygienic and luxury design

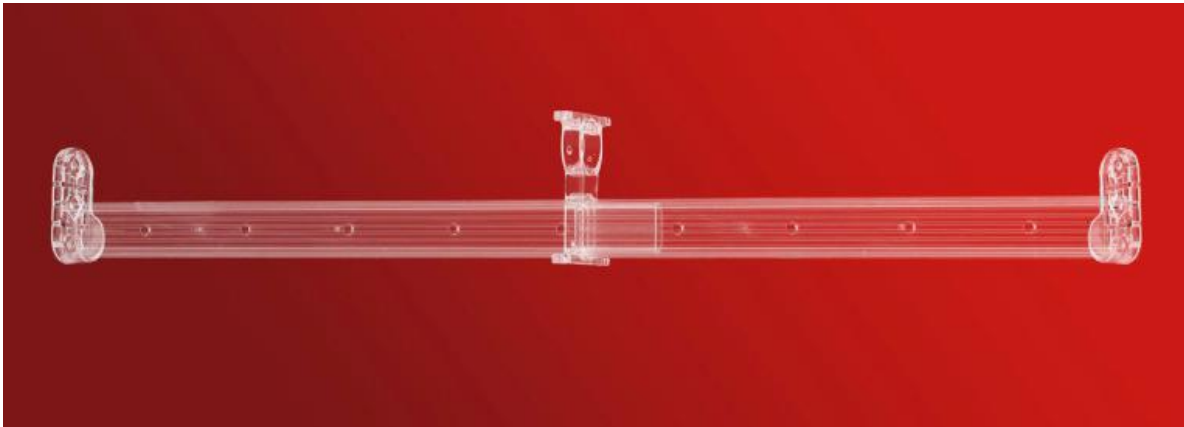
30 cm portable and space saving

1 meter tube capacity: 15 kg

Patent No: 2015/13086



Hanger Tube (Oval)



Code	Colour	Pcs/Box	Box Weight	Pcs/Package	Package Weight
4002	Transparent	25	1,7 kg	300	21,3 kg

Modular hanger tube

30 cm pieces can be added to each other

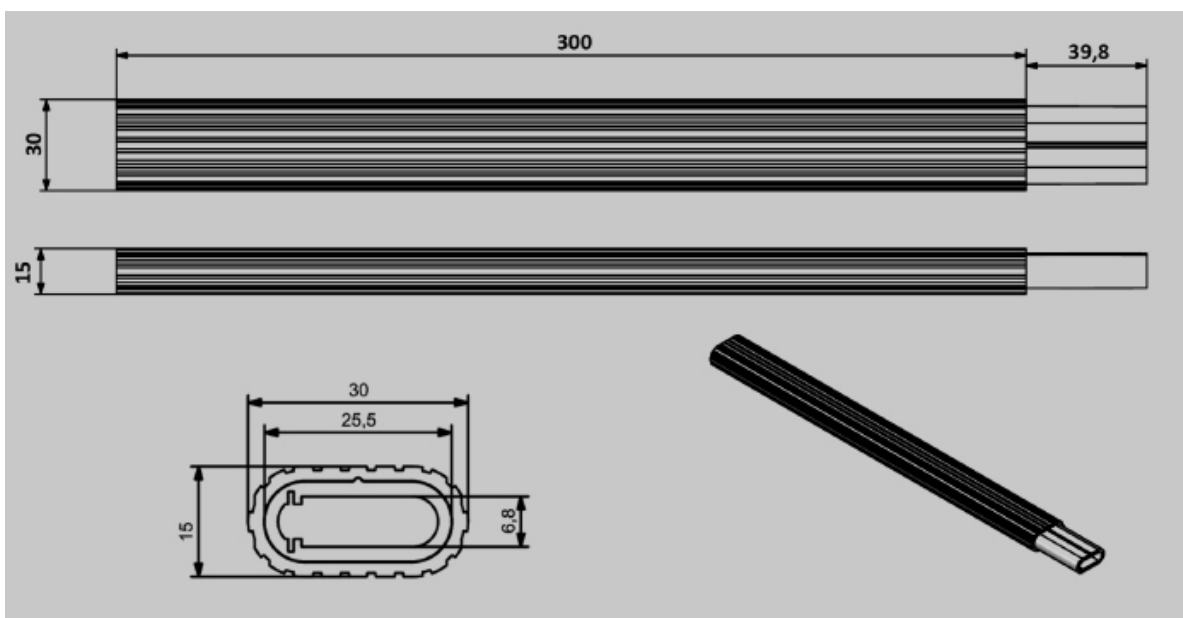
It can be cut and fix according to the wanted length

Stainless, decorative, chic, hygienic and luxury design

30 cm portable and space saving

1 meter tube capacity: 15 kg

Patent No: 2015/13086



Hanger Tube Bracket Round



Code	Colour	Pcs/Box	Box Weight	Pcs/Package	Package Weight
4003	Transparent	100	1,65 kg	1.200	20,1 kg

Unbreakable hanger tube bracket

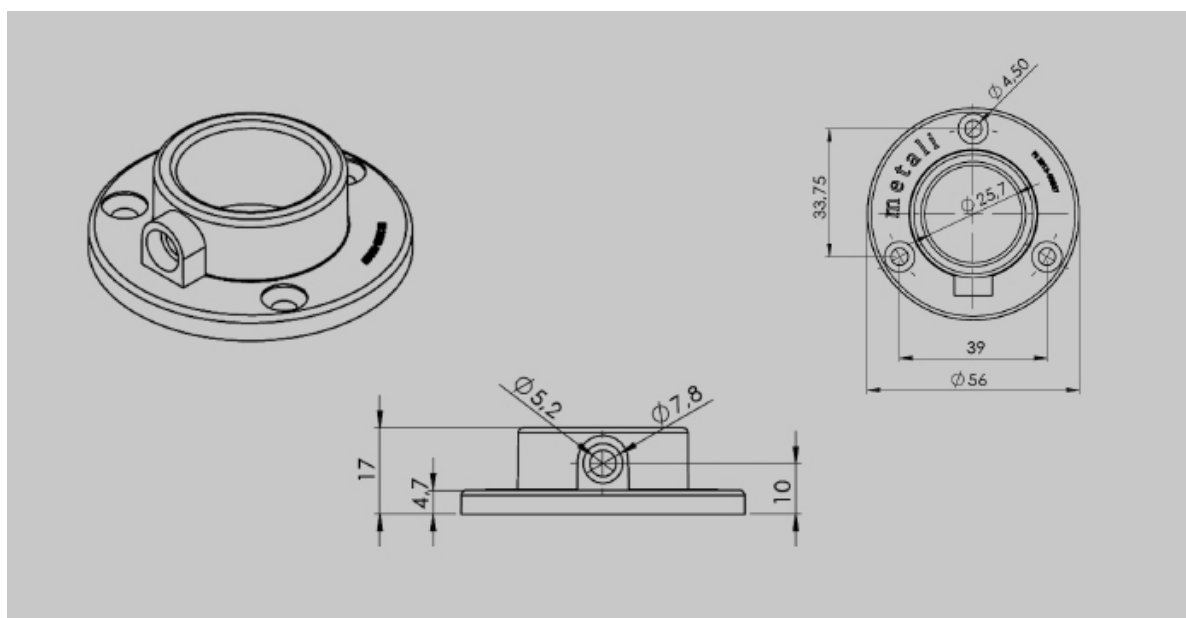
For hanger tube with 25 mm diameter

Transparent, suitable for all furniture colors

Decorative, hygienic, aesthetic and luxury design

Solid assembly with the screw

Patent No: 2013-00827



Hanger Tube Bracket Oval



Code	Colour	Pcs/Box	Box Weight	Pcs/Package	Package Weight
4004.0 4004.1	Transparent White	300	1,85 kg	3600	18 kg
4005	Transparent	300	2,2 kg	3600	28 kg

Unbreakable hanger tube bracket

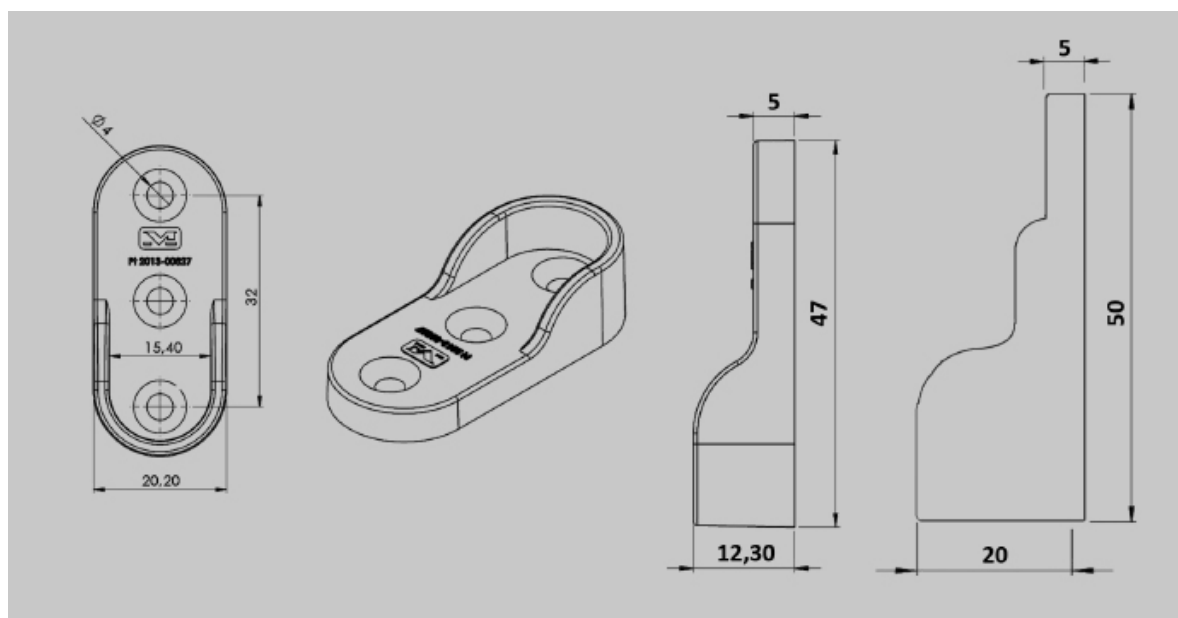
For hanger tube with 15 mm diameter

Transparent, suitable for all furniture colors

Decorative, hygienic, aesthetic and luxury design

Solid assembly with 3 screw holes

Patent No: 2013-00827



Hanger Tube Bracket Oval



Code	Colour	Pcs/Box	Box Weight	Pcs/Package	Package Weight
4006	Transparent	100	1,5 kg	1.200	20 kg

Unbreakable hanger tube bracket

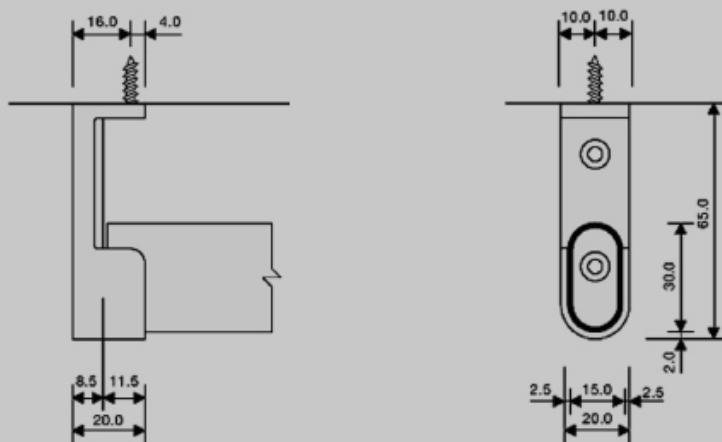
For hanger tube with 15 mm diameter

Transparent, suitable for all furniture colors

Decorative, hygienic, aesthetic and luxury design

Solid assembly with 3 screw holes

Patent No: 2013-00827



Hanger Tube Support (Center)



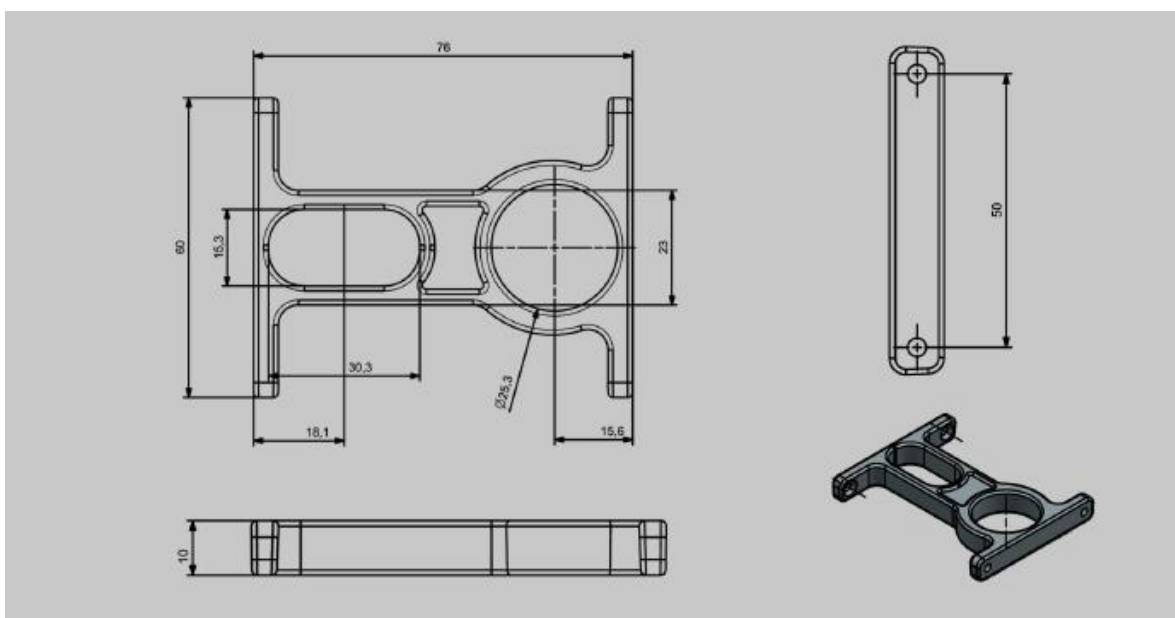
Code	Colour	Pcs/Box	Box Weight	Pcs/Package	Package Weight
4007	Transparent	50	1 kg	600	11 kg

Center support for hanger tube

Can be used for both round and oval tube

Transparent, suitable for all furniture colors

Decorative, hygienic, aesthetic and luxury design



Cabinet Hanger (Undirected)



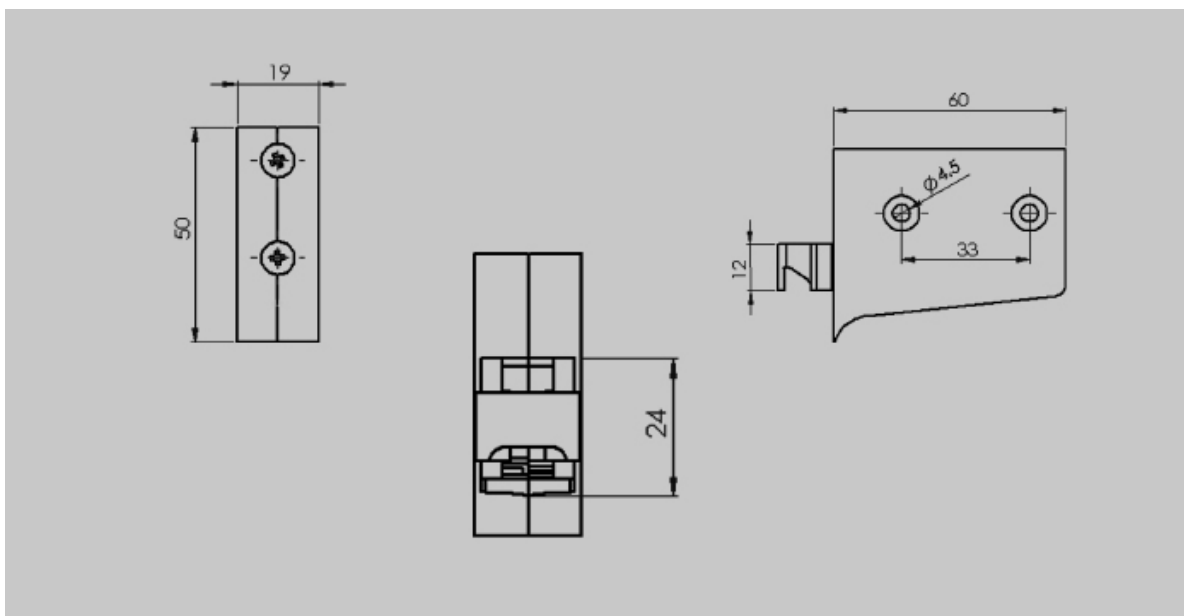
Code	Colour	Pcs/Box	Box Weight	Pcs/Pallet
1001.1	White	100	5,85 kg	10.000

Undirected Cabinet hanger

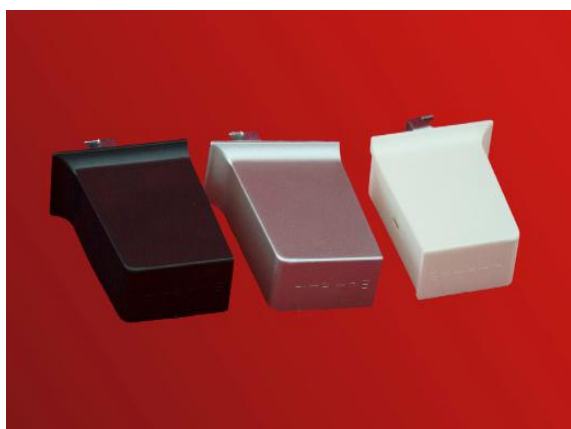
Cover color choices are available

There is not right or left cabinet hanger

Can be connected with holdfast or support sheet



Cabinet Hanger Cover



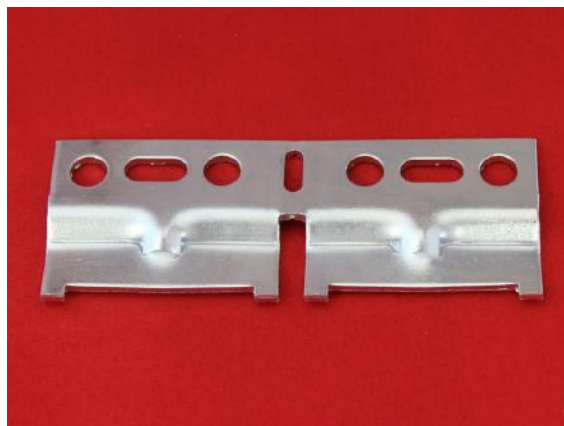
Code	Colour	Pcs/Box	Box Weight
1002.1	White	100	200 g
1002.2	Grey	100	200 g
1002.3	Black	100	200 g
1002.4	Cream	100	200 g
1002.22	Mat Chrome	100	200 g

Cabinet Hanger

Code	Colour	Pcs/Box	Box Weight	Pcs/Pallet
1011 1012	White	100 Right 100 Left	10 kg	7.200



Cabinet Hanging Screw & Cabinet Hanging Rail



Code	Colour	Size	Pcs/Box	Box Weight	Pcs/Package	Package Weight
1003.20	Galvanized	M6 x 80 mm	100	1,50 kg	1.000	15 kg
1004.20	Galvanized	103 mm	100	2 kg	500	10 kg

Both are assembled on the wall opposite the daset

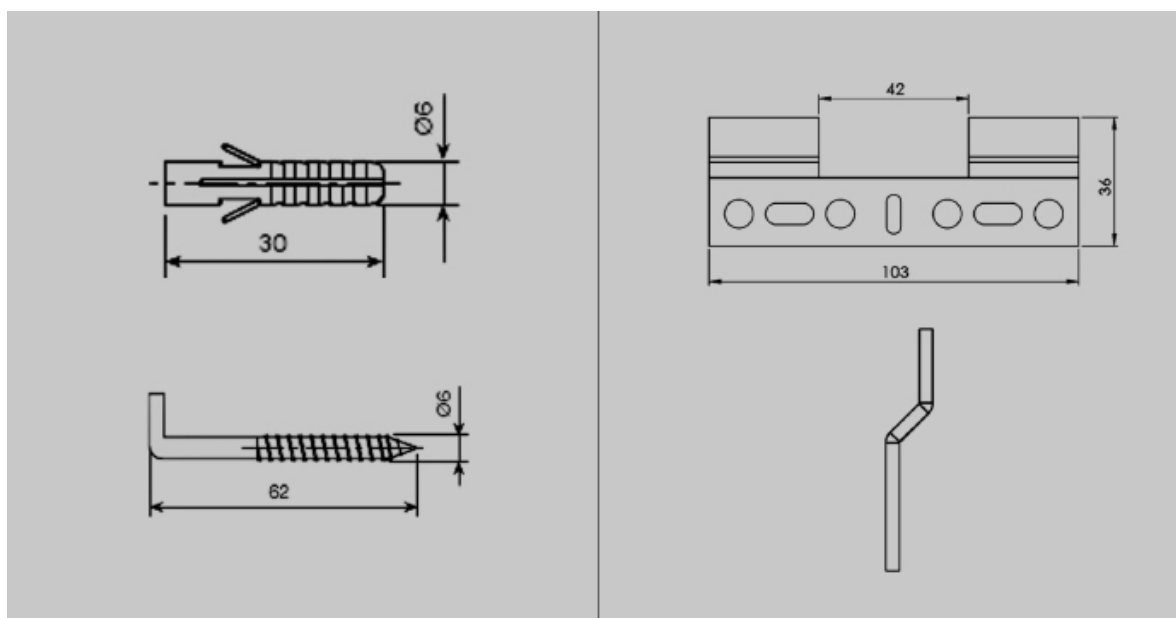
Hanging screw is in 2 sizes: 80 mm and 100 mm

Screw's thickness is 6 mm

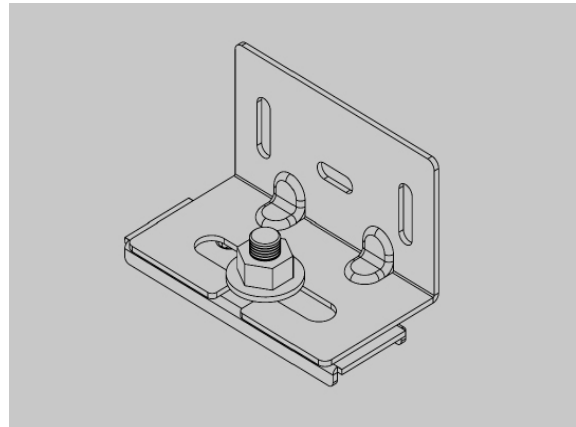
Screw and dowel are available

Hanging rail is galvanized

Both are produced for cabinet hanging

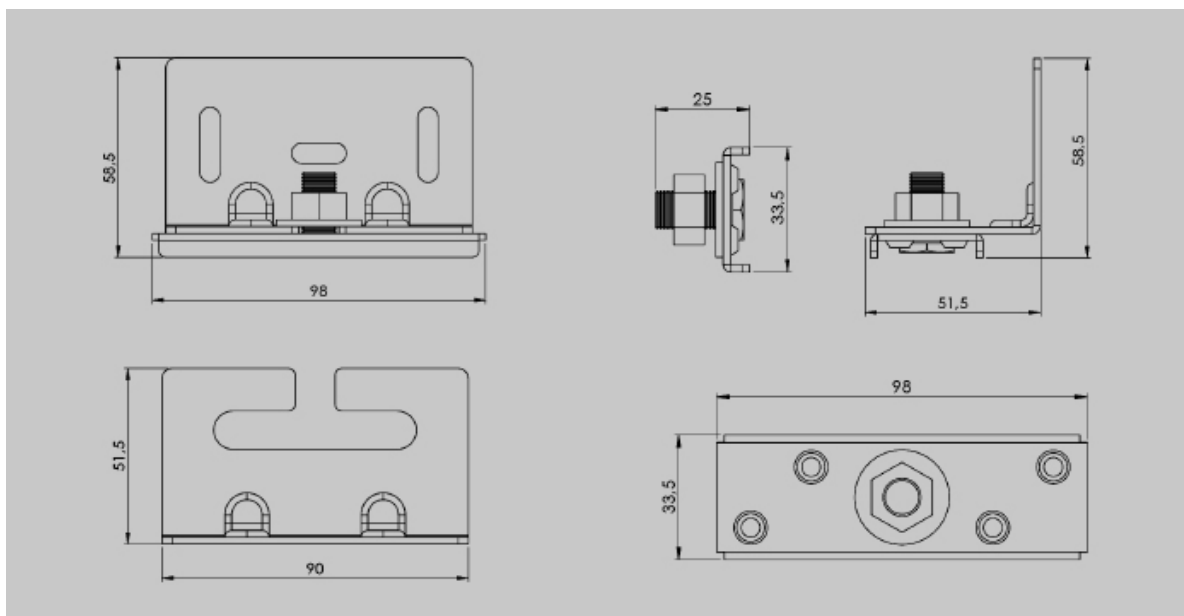


Bathroom Furniture Hanger



Code	Colour	Size	Pcs/Package	Package Weight
1005	Galvanized	2,50 mm	50	13,3 kg

Bathroom cabinet hanger with thickness 2,5 mm



Cabinet Hanger Midi



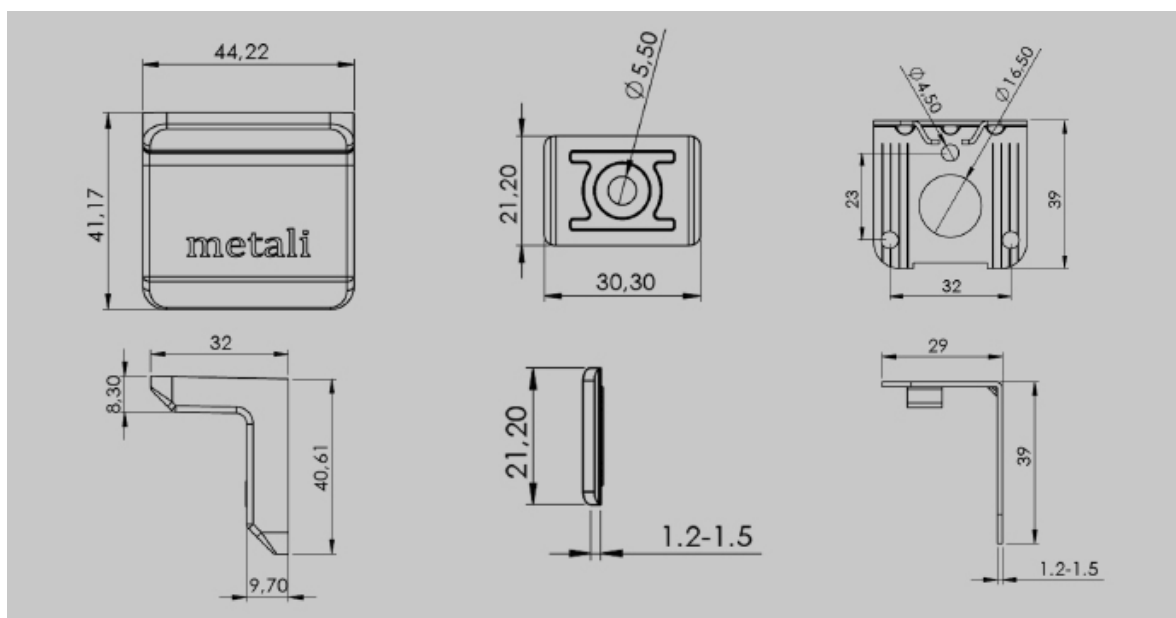
Code	Size	Pcs/Box	Box Weight	Pcs/Pallet
1006	1,20 mm	250	7,8 kg	25.000
1007	1,50 mm	250	9,5 kg	25.000

Cabinet hanger is produced in 2 sizes: 1,20 mm and 1,50 mm

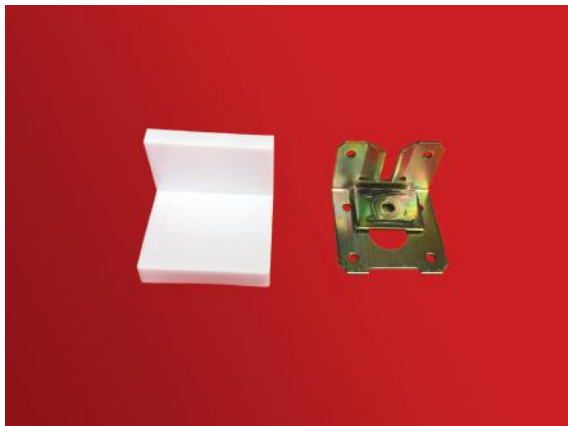
Channels on flange plate are used as gasket adjustment during the assembling

Glossy and first class plastic decorative cover is used

Cover colors: White (1), grey (2), black (3), cream (4), maple (5), pear (6), birch (7), Brown (8), beech (9), red (10), cherry (11), oak (12), wenge (13)



Cabinet Hanger Maxi

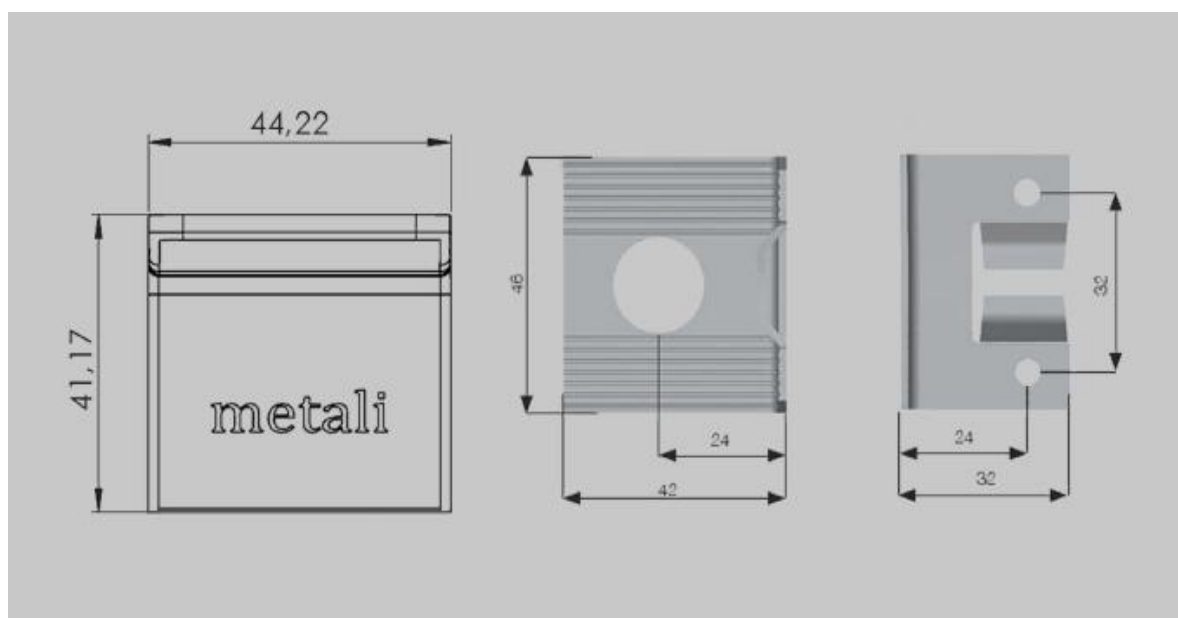


Code	Size	Pcs/Box	Box Weight	Pcs/Pallet
1009	1,50 mm	250	12,1 kg	25.000

Channels on flange plate are used as gasket adjustment during the assembling

Glossy and first class plastic decorative cover is used

Cover colors: White (1), grey (2), black (3), cream (4), maple (5), pear (6), birch (7), Brown (8), beech (9), red (10), cherry (11), oak (12), wenge (13)



Wall Damper For Door Handles



Code	Colour	Pcs/Box	Box Weight
3001	Transparent	120	5,7 kg

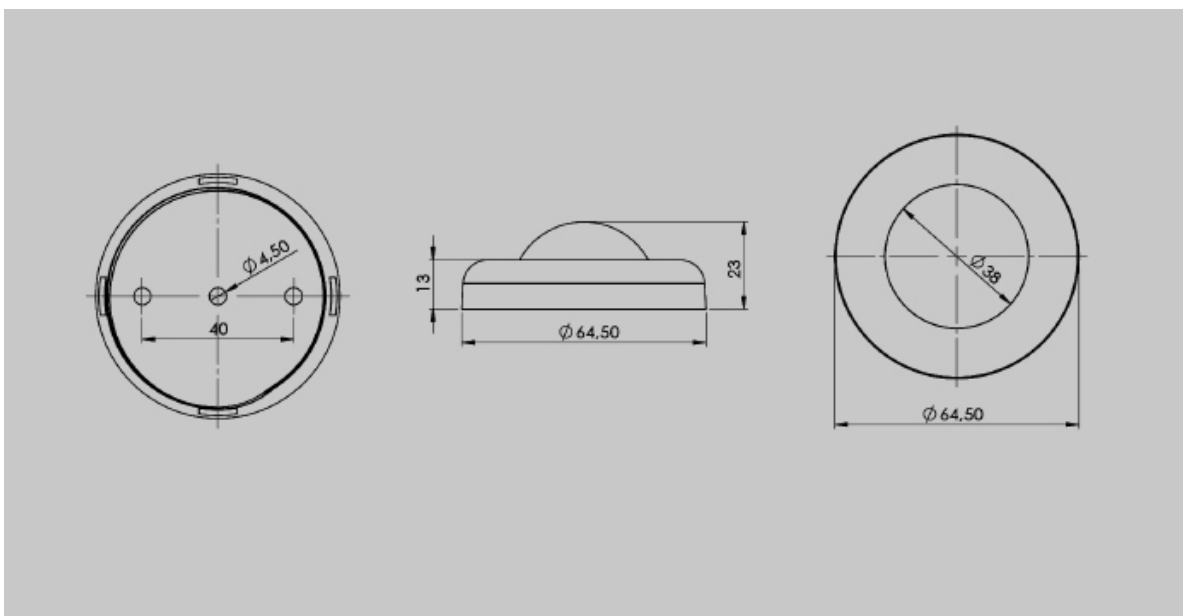
Unbreakable wall damper

Assembling can be done by using the provided bolt and dowel or double sided adhesive

Transparent in harmony with the wall color

Decorative, hygienic, aesthetic and luxury design

Patent No: 2013-02913



Door Stopper



Code	Colour	Size	Pcs/Box	Box Weight
3002	Transparent	35 mm	120	2,85 kg
3003	Transparent	50 mm	100	2,78 kg

Unbreakable wall damper

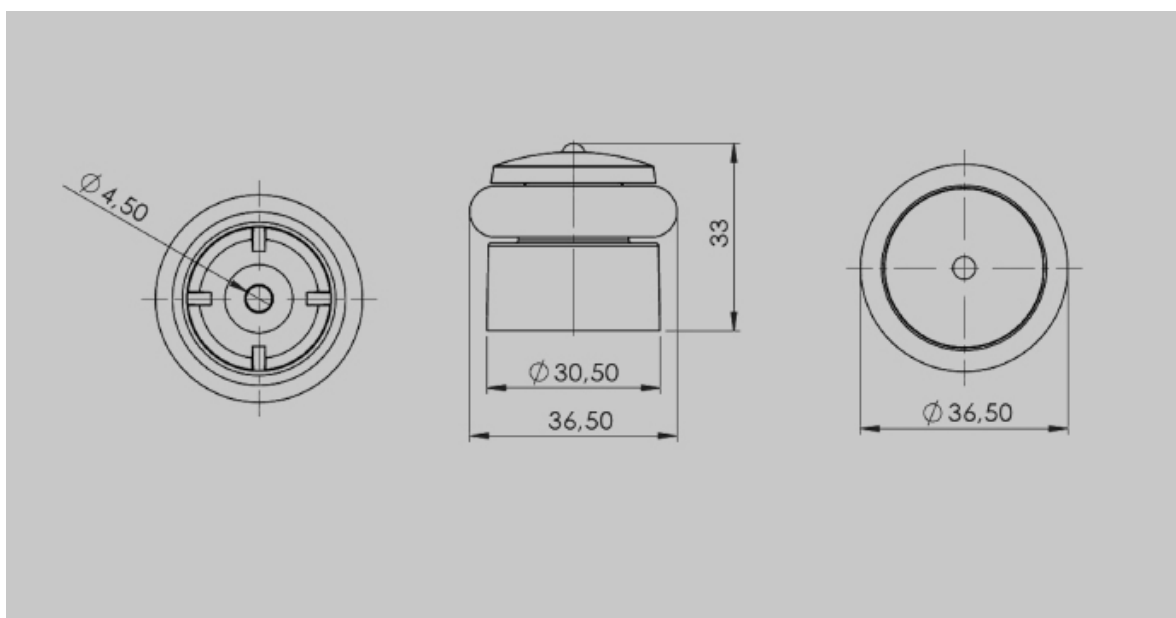
Assembling can be done by using the provided bolt and dowel

Available in 2 sizes: 3,5 cm and 5 cm

Transparent in harmony with the floor color

Decorative, hygienic, aesthetic and luxury design

Patent No: 2013-02913



Damper For Door Handles

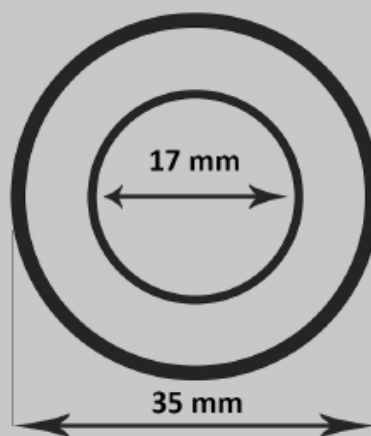


Code	Colour	Pcs/Box	Pcs/Package	Package Weight
3004	Transparent	6	600	4 kg

Transparent silicone door handle damper

Flexible to wide door handles

Soft material prevents damaging of the door handles



Glass Shelf Holder



Code	Colour	Size	Pcs/Box	Box Weight
5001.0	Transparent	22,5 mm	200	5,4 kg
5001.1	White	22,5 mm	200	5,4 kg
5001.2	Grey	22,5 mm	200	5,4 kg

Unbreakable shelf holder

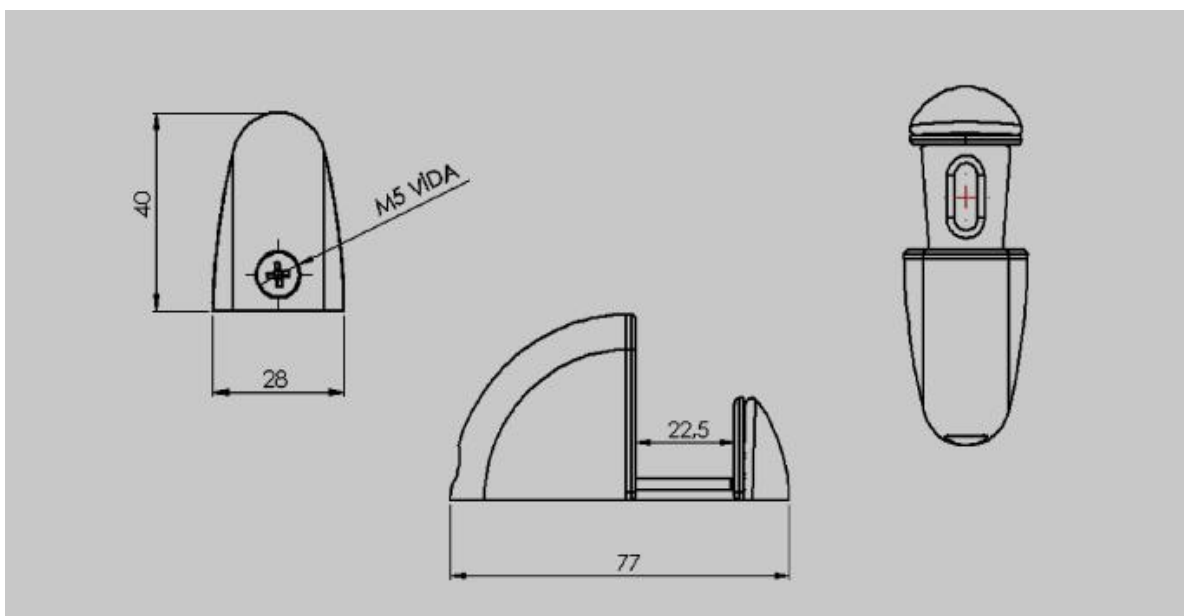
Color choices are transparent, white and grey

For assembling use the given bolt and dowel in the box

Suitable up to 22 mm glass or shelf thickness

Decorative, hygienic, aesthetic and luxury design

Patent No: 2013-05430



Glass Shelf Holder Mini



Code	Colour	Pcs/Box	Box Weight	Pcs/Package	Package Weight
5003	Transparent	400	1 kg	3.200	8,6 kg

Unbreakable glass shelf holder

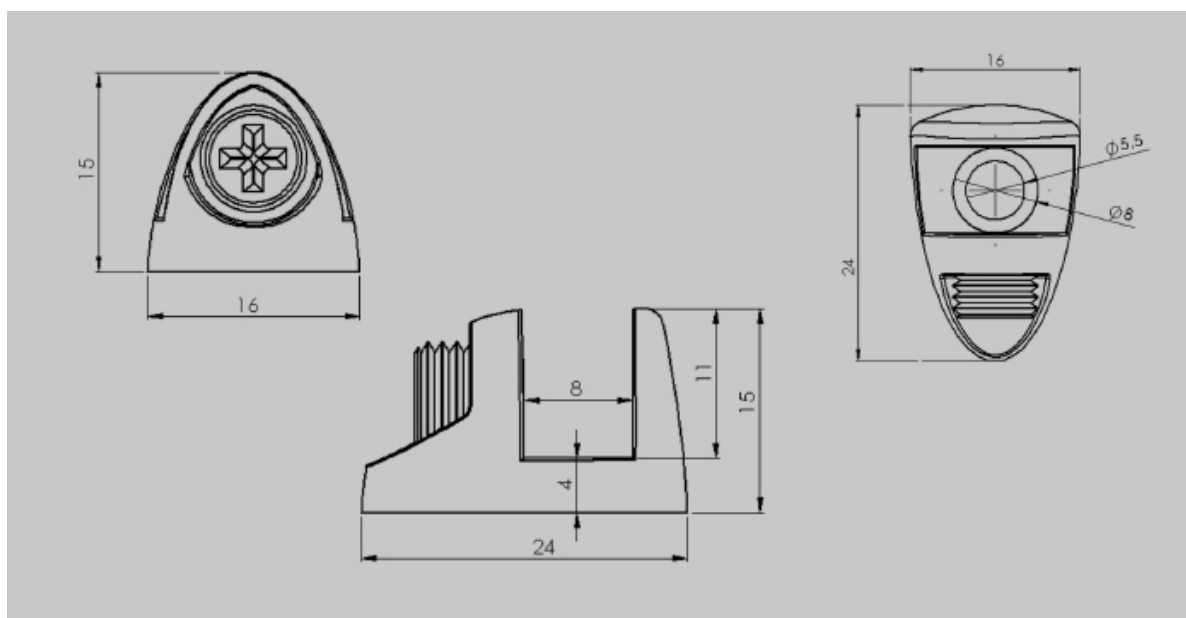
Suitable for glass and mirror with its transparent screw

Can hold glass, mirror, shelves with thickness up to 6 mm

Transparent in harmony with all furniture colors

Decorative, hygienic, aesthetic and luxury design

Patent No: 2013-05430



Glass Shelf Holder



Code	Colour	Pcs/Box	Box Weight	Pcs/Package	Package Weight
5002	Transparent	100	900 g	800	7,65 kg

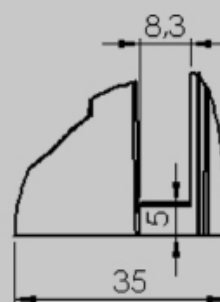
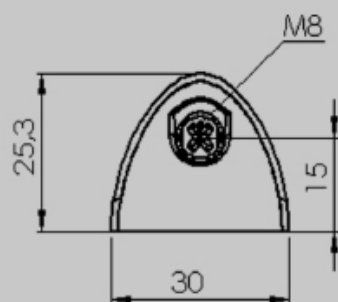
Unbreakable glass shelf holder

Suitable for glass and mirror with its transparent screw

Transparent in harmony with all furniture colors

Decorative, hygienic, aesthetic and luxury design

Patent No: 2013-05430



Mirror Holder



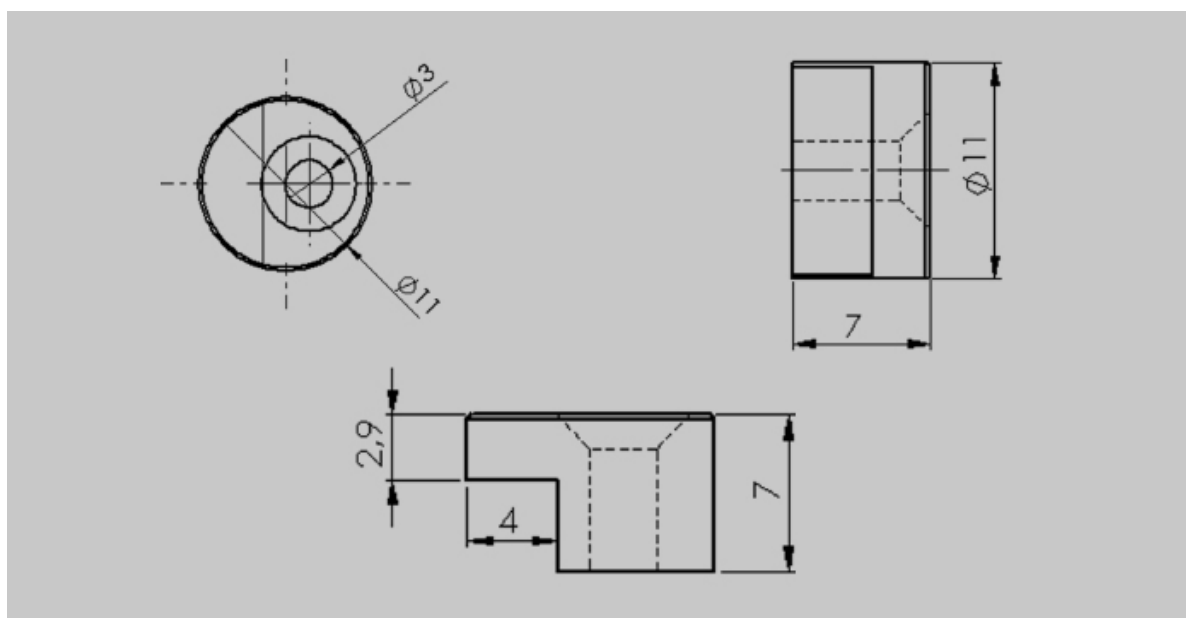
Code	Colour	Pcs/Box	Box Weight	Pcs/Package	Package Weight
5004	Transparent	1.000	950 g	12.000	11,8 kg

Unbreakable glass shelf holder

Assembling with the screw given in the box

Can hold glass, mirror, shelves with thickness up to 4mm

Decorative, hygienic, aesthetic and luxury design



Shelf Support With Ventouse



Code	Colour	Pcx/Box	Box Weight	Pcs/Package	Package Weight
5000	Transparent	500	900 g	6.000	11 kg

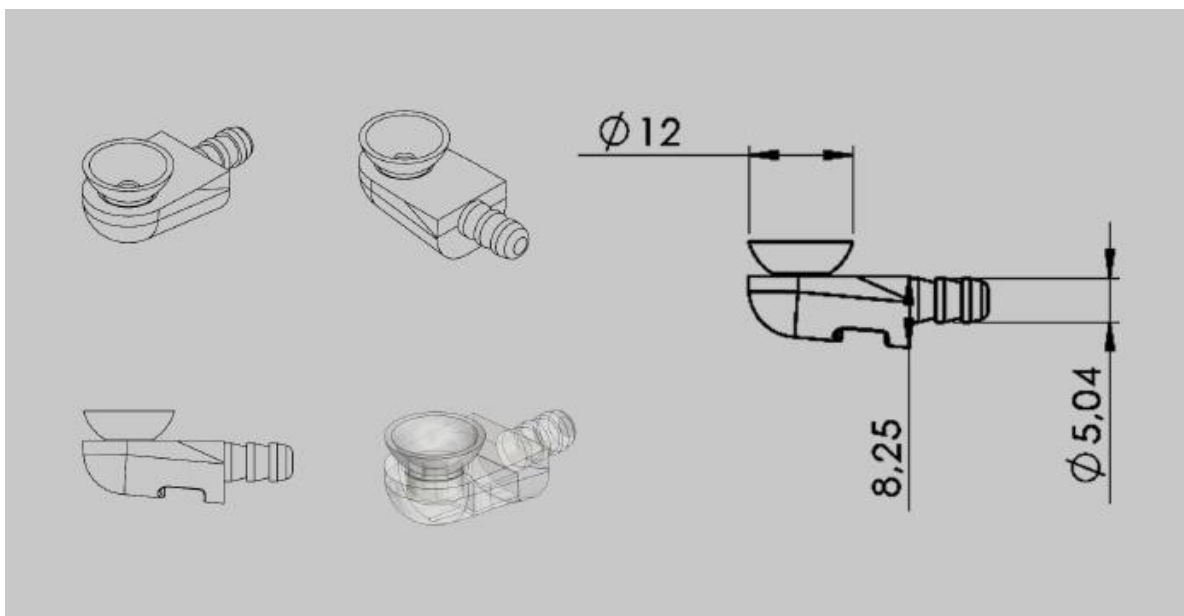
Transparent unbreakable shelf pin

Protection of the glass by silicone ventouse

For 5 mm hole

Transparent in harmony with all furniture colors

Decorative, hygienic, aesthetic and luxury design



Shelf Support



Code	Colour	Pcs/Box	Box Weight	Pcs/Package	Package Weight
5005.0	Transparent	1.000	1 kg	12.000	12,5 kg
5005.1	White	1.000	1 kg	12.000	12,5 kg

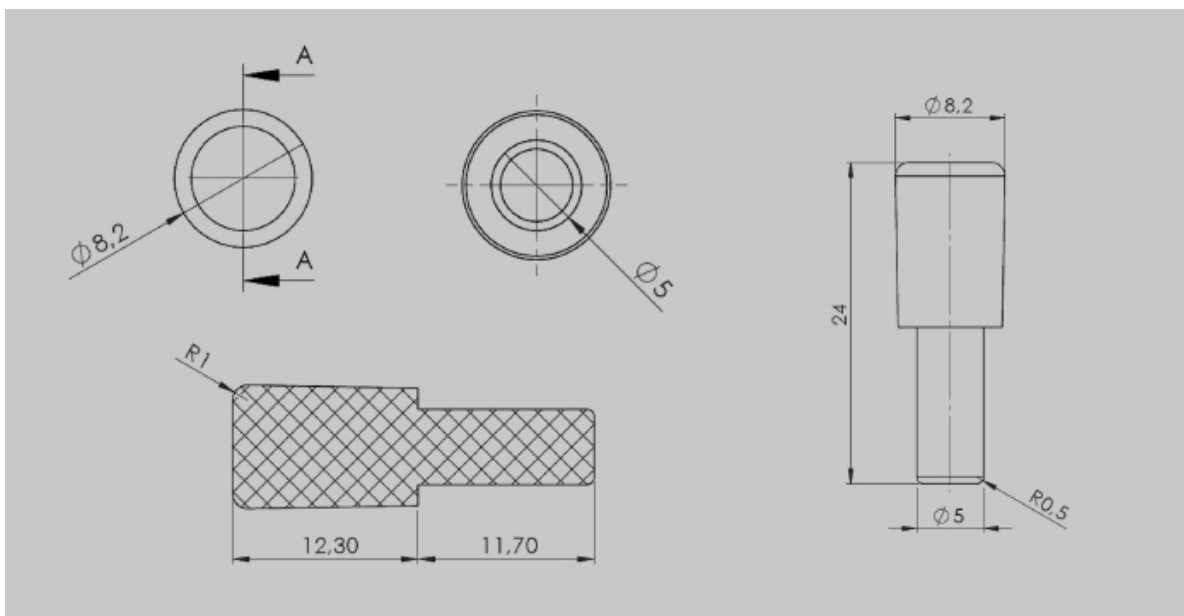
Unbreakable shelf support

For 5 mm hole

Transparent and white in harmony with all furniture colors

Decorative, hygienic, aesthetic and luxury design

Patent No: 2013-02675



Shelf Support



Code	Colour	Pcs/Box	Box Weight	Pcs/Package	Package Weight
5006	Transparent	1.000	950 g	12.000	11,65 kg

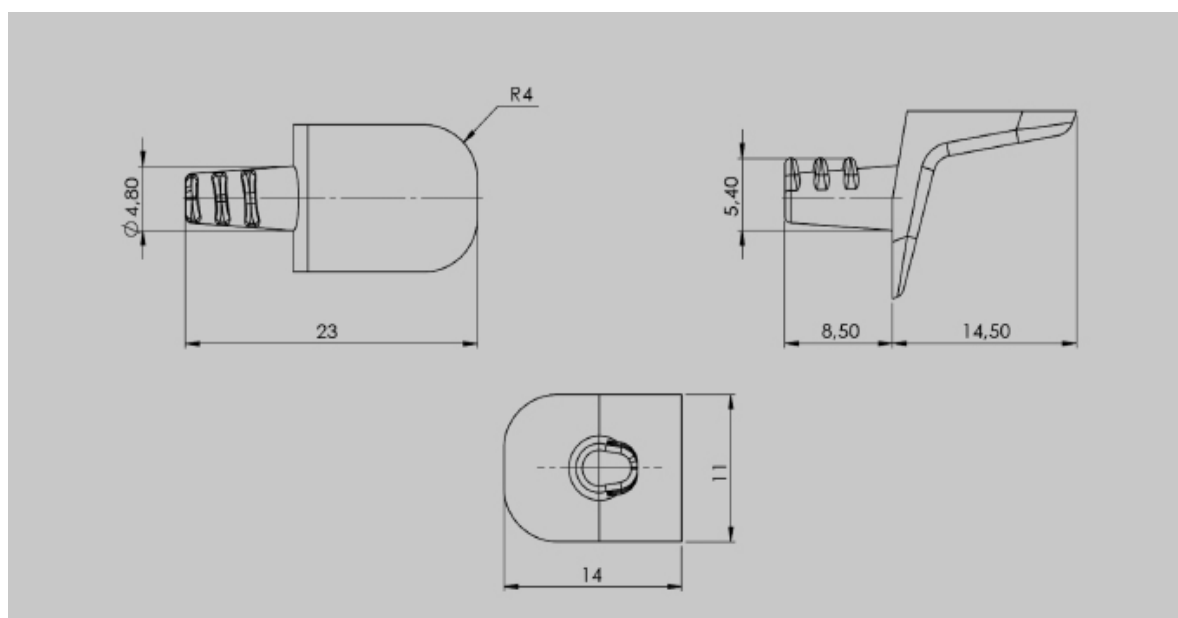
Unbreakable shelf support

Apply on 5 mm hole

Easy assembling with its screw

Transparent in harmony with all furniture colors

Patent No: 2013-02675



Pingo Foot & Table Corner Fittings

6003



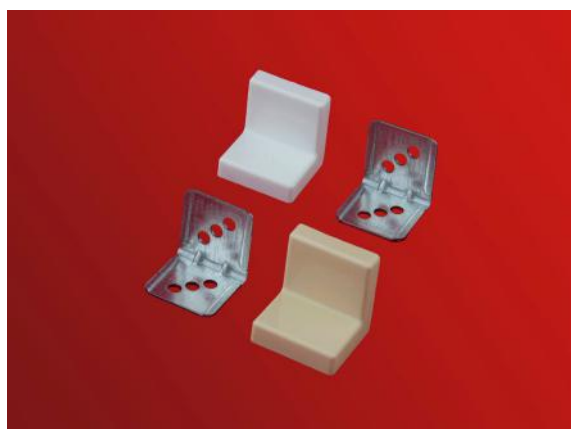
9004



Code	Colour	Size	Pcs/Package	Package Weight
6003.50	Galvanized	50 mm	200	12,5 kg
6003.80	Galvanized	80 mm	200	15 kg
9004	Galvanized	45x55x55	100	15 kg

Mini & Extra Mini Corner Fittings

Code	Colour	Size	Pcs/Box	Box Weight
8000	10 Color	1,20x28 mm	500	6,30 kg
8100	10 Color	1,20x19 mm	2.000	14 kg



Plastic Wedge & Plug With Nail

6002



6001



Code	Colour	Pcs/Box	Box Weight	Pcs/Package	Package Weight
6002	10 Color	500	0,80 kg	7.500	11,50 kg
6001	10 Color	1.000	1,2 kg	20.000	14,4 kg

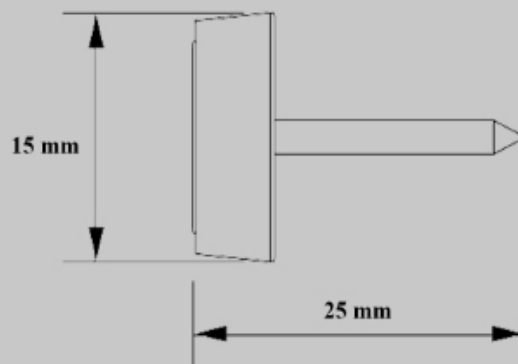
Plastic Wedge & Plug With Nail (Polygrip)

10 Color by choice

Oval base, no scratches on the floor

2 mm inflexible rigid steel pin

Decorative, hygienic, aesthetic and luxury design



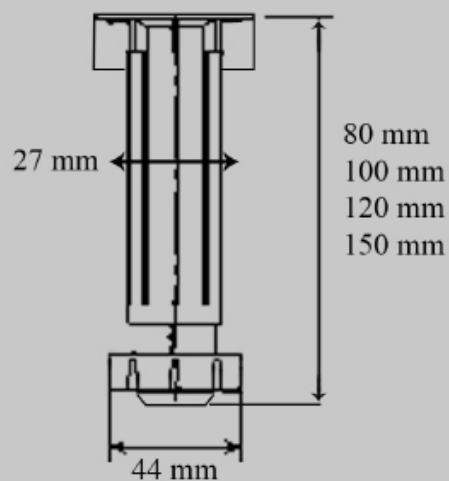
Plinth Foot & Clip



Code	Colour	Size	Pcs/Package	Package Weight
6008	White - Black	8 cm	500	18 kg
6009	White - Black	10 cm	500	20 kg
6010	White - Black	12 cm	400	16,75 kg
6011	White - Black	15 cm	400	18,5 kg
6006	White - Black	Clips	1.200	9,20 kg

Plastic plinth foot

Easy and comfortable assembling



Adjustable Plinth Foot

6004



Code	Colour	Size	Pcs/Package	Package Weight
6004	White - Black	10-15 cm	300	12.75 kg
6007	White - Black	10-15 cm	300	13,10 kg
6005	White - Black	12-17 cm	300	15,20 kg
6022	White - Black	15-20 cm	250	15,75 kg

Plastic regulated plinth foot

Regulated between 10-15 cm, 12-17 cm and 15-20 cm



6007

Repair Soft Wax & Teak Oil



Code	Milligram	Pcs/Box	Box Weight
10	30 gram	10	400 g
0361	1 liter	6	6,15 kg

Borma Wachs Repair Soft Wax

All wood defects can be easily removed

You can find the correct decor by mixing the colors

Natural (80), Grey (1010), Gold (1011), Silver (1015), Wenge (1460), Teak (17),

Cherry (300), Hornbeam (420), White (50), Light Oak (51), Oak (510),

Pine (511), Light Pine (512), Light Walnut (530), Walnut (590), Black (60),

Mahogany (620), Dark Walnut (630), Transparent (70), Natural Transparent (70N)

Ready to use UV filtered wood oil

Protects the inside and outside wood from sun, rain and weather conditions



Borma Wachs Filler



Code	Milligram	Pcs/Package	Package Weight
9010	200 g	12	2,5 kg
1550	1 kg	12	12,5 kg

Borma Wachs repair paste 16 Color + Antrachite + High Gloss White

Acrylic filling paste is used for solid wood and veneer repair

Apply directly on the clean damaged surface

If necessary apply again

After drying and rubbing can be painted

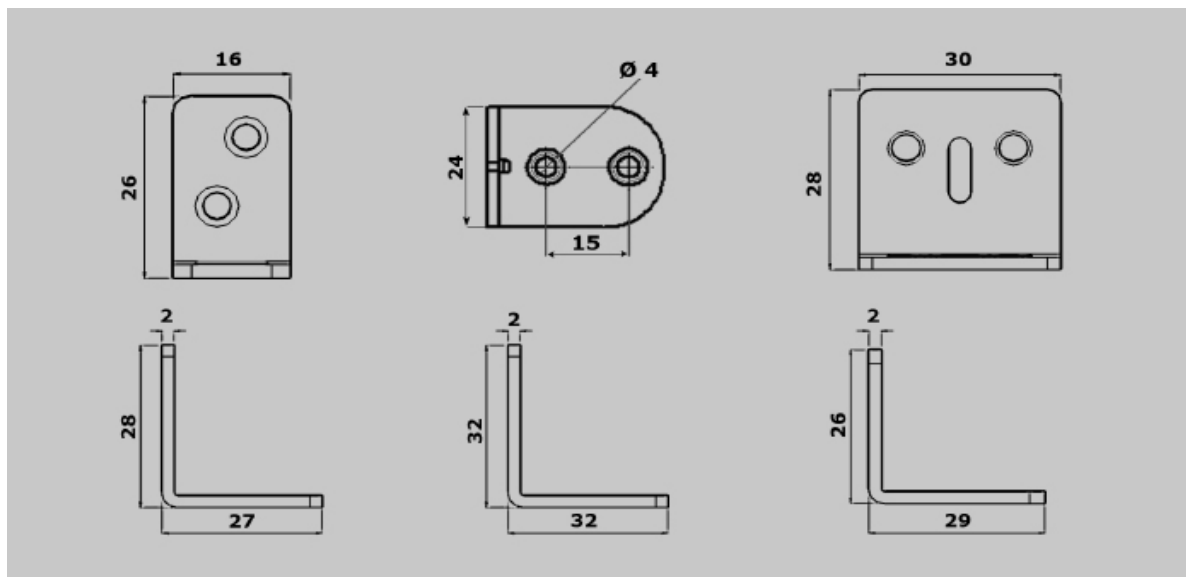


L Corner



Code	Colour	Size	Pcs/Package
8001	Zinc	15x25x25	1.000
8003	Zinc	23x30x30	1.600
8006	Zinc	30x25x25	800

2mm Zinc L Corner



Bed Fittings Set & Clippers



Code	Size - Colour	Pcs/Package	Package Weight
9000	1,20 mm	50	15 kg
9001	1,50 mm	50	19 kg
9026	4 Color	200	21,25 kg
9007	White - Brown	200	9,50 kg

1,20 mm - 1,50 mm Bed Fitting Plate

Transparent Lifting Clippers

Metal Lifting System

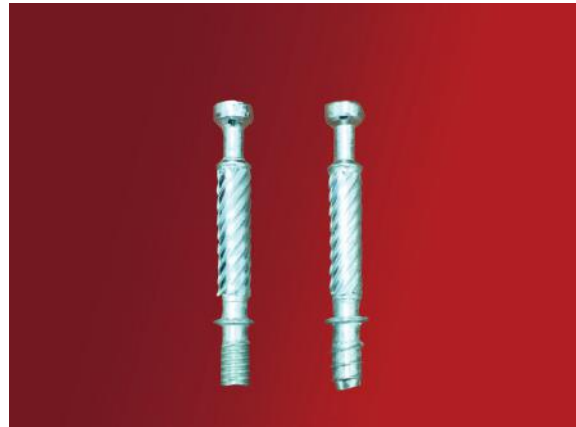
9007



9030



9033-9032



Code	Colour	Size	Pcs / Package
9030	Zinc	16 mm	2.000
9031	Zinc	18 mm	2.000
9032	Zinc	Wood	2.000
9033	Zinc	Metrics	2.000
9005.20	Zinc	10-13	2.000
9005.11	White	10x11	20.000
9005.13	White	10x13	20.000

9005.13

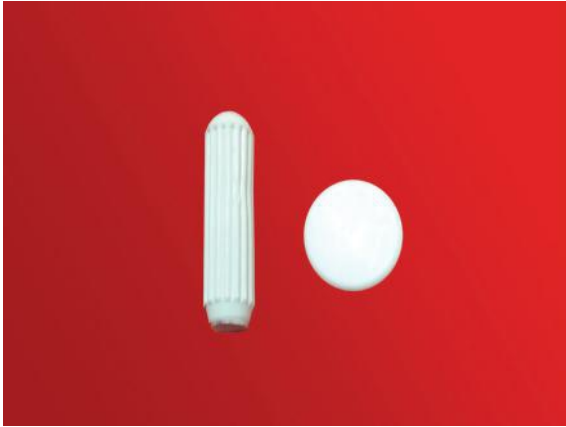


9005.20

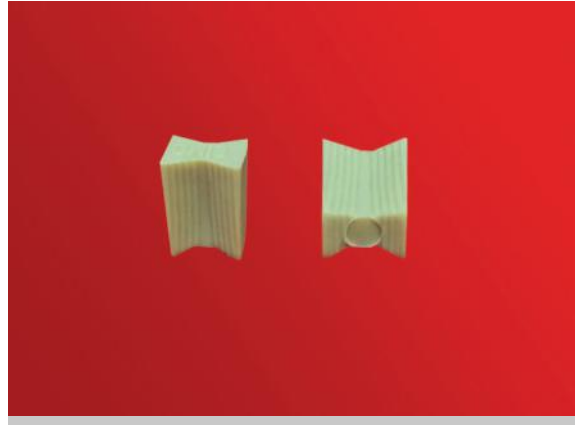


Furniture Fittings

9015-9036



9013

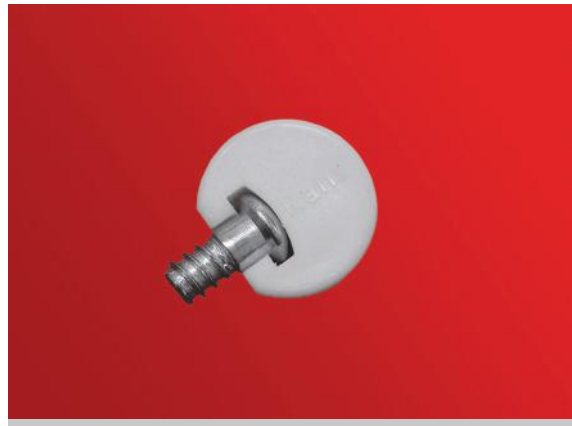


Code	Size - Colour	Description	Pcs / Package
9036	5 Color	Minifix Cover	10.000
9015	White - Black	Pls. Dowell	10.000
9013	5 Color	Mdf Profile Connector	20.000
9011	White	Rear Panel Connector	10.000
9012	White	Rafix (Eco)	10.000

9011



9012



Furniture Fittings

5007



5010



Code	Colour	Pcs/Box	Box/Weight
5007	Nickel	5.000	16 kg
5010	Nickel	3.000	13 kg
4008	Nickel	1.400	15 kg
4009	Chrome	1.000	15 kg

4008 - 4009



Shelf Supports

5009



5011

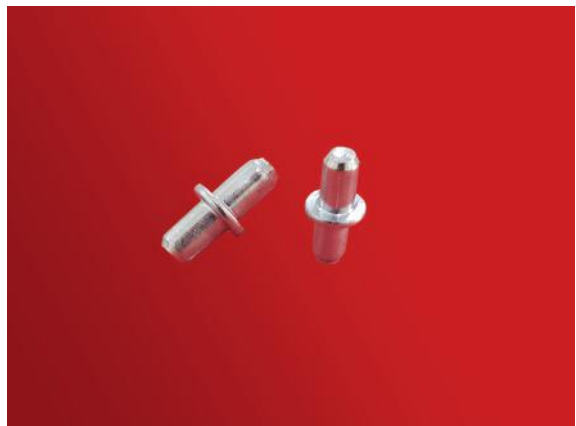


Code	Size - Colour	Pcs/Package	Package Weight
5009	5 Color	20.000	19 kg
5011	Transparent	5.000	16 kg
9003	5 Color	5.000	16 kg
9008	Zinc	5.000	16 kg

9003



9008

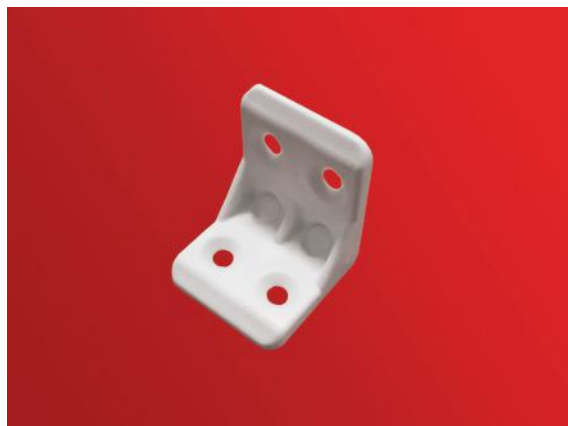


Furniture Accessories

9016 - 9017



1614



Code	Size - Colour	Pcs/Box	Box Weight
9016	15 mm	5.000	15 kg
9017	20 mm	5.000	23 kg
1614	5 Color	5.000	19 kg
9040	M8	1.000	11 kg
9025	White - Black	20.000	10 kg

9040



9025



Metal Legs



Code	Size	Description	Package	Weight
6031	6 cm	Ø 42 Metal Chrome Legs (Pls. Pingo)	100	11 kg
6032	8 cm	Ø 42 Metal Chrome Legs (Pls. Pingo)	100	13,4 kg
6033	10 cm	Ø 42 Metal Chrome Legs (Pls. Pingo)	100	14,2 kg
6034	12 cm	Ø 42 Metal Chrome Legs (Pls. Pingo)	100	17,2 kg
6035	15 cm	Ø 42 Metal Chrome Legs (Pls. Pingo)	100	19 kg
6036	20 cm	Ø 42 Metal Chrome Legs (Pls. Pingo)	50	13 kg

Code	Size	Description	Package	Weight
6041	6 cm	Ø 42 Metal Chrome Legs (Metal Pingo)	100	15 kg
6042	8 cm	Ø 42 Metal Chrome Legs (Metal Pingo)	100	16,5 kg
6043	10 cm	Ø 42 Metal Chrome Legs (Metal Pingo)	100	19 kg
6044	12 cm	Ø 42 Metal Chrome Legs (Metal Pingo)	100	21 kg
6045	15 cm	Ø 42 Metal Chrome Legs (Metal Pingo)	50	23 kg
6046	20 cm	Ø 42 Metal Chrome Legs (Metal Pingo)	50	13 kg



Metal Legs



Code	Size	Description	Package	Weight
6051	6 cm	Ø 51 Metal Chrome Legs (Pls. Pingo)	100	14 kg
6052	8 cm	Ø 51 Metal Chrome Legs (Pls. Pingo)	100	16 kg
6053	10 cm	Ø 51 Metal Chrome Legs (Pls. Pingo)	100	18 kg
6054	12 cm	Ø 51 Metal Chrome Legs (Pls. Pingo)	100	20 kg
6055	15 cm	Ø 51 Metal Chrome Legs (Pls. Pingo)	100	23 kg
6056	20 cm	Ø 51 Metal Chrome Legs (Pls. Pingo)	50	14,5 kg

Code	Size	Description	Package	Weight
6061	6 cm	Ø 51 Metal Chrome Legs (Metal Pingo)	100	19 kg
6062	8 cm	Ø 51 Metal Chrome Legs (Metal Pingo)	100	21 kg
6063	10 cm	Ø 51 Metal Chrome Legs (Metal Pingo)	100	23 kg
6064	12 cm	Ø 51 Metal Chrome Legs (Metal Pingo)	100	25 kg
6065	15 cm	Ø 51 Metal Chrome Legs (Metal Pingo)	50	16 kg
6066	20 cm	Ø 51 Metal Chrome Legs (Metal Pingo)	50	17 kg



Metal Legs



Code	Size	Description	Package	Weight
6071	6 cm	Ø 60 Metal Chrome Legs (Pls. Pingo)	100	16 kg
6072	8 cm	Ø 60 Metal Chrome Legs (Pls. Pingo)	100	18,5 kg
6073	10 cm	Ø 60 Metal Chrome Legs (Pls. Pingo)	100	21 kg
6074	12 cm	Ø 60 Metal Chrome Legs (Pls. Pingo)	100	24 kg
6075	15 cm	Ø 60 Metal Chrome Legs (Pls. Pingo)	100	27 kg
6076	20 cm	Ø 60 Metal Chrome Legs (Pls. Pingo)	50	17,5 kg

Code	Size	Description	Package	Weight
6081	6 cm	Ø 60 Metal Chrome Legs (Metal Pingo)	100	20 kg
6082	8 cm	Ø 60 Metal Chrome Legs (Metal Pingo)	100	22 kg
6083	10 cm	Ø 60 Metal Chrome Legs (Metal Pingo)	100	25 kg
6084	12 cm	Ø 60 Metal Chrome Legs (Metal Pingo)	100	27,5 kg
6085	15 cm	Ø 60 Metal Chrome Legs (Metal Pingo)	50	18 kg
6086	20 cm	Ø 60 Metal Chrome Legs (Metal Pingo)	50	19 kg



Metal Legs



Code	Size	Description	Package	Weight
6091	41 cm	Ø 60 Metal Chrome Table Legs (Wood)	4	3,90 kg
6092	61 cm	Ø 60 Metal Chrome Table Legs (Wood)	4	5,00 kg
6093	71 cm	Ø 60 Metal Chrome Table Legs (Wood)	4	5,70 kg
6094	81 cm	Ø 60 Metal Chrome Table Legs (Wood)	4	6,50 kg
6095	91 cm	Ø 60 Metal Chrome Table Legs (Wood)	4	7,20 kg
6096	101 cm	Ø 60 Metal Chrome Table Legs (Wood)	4	7,90 kg

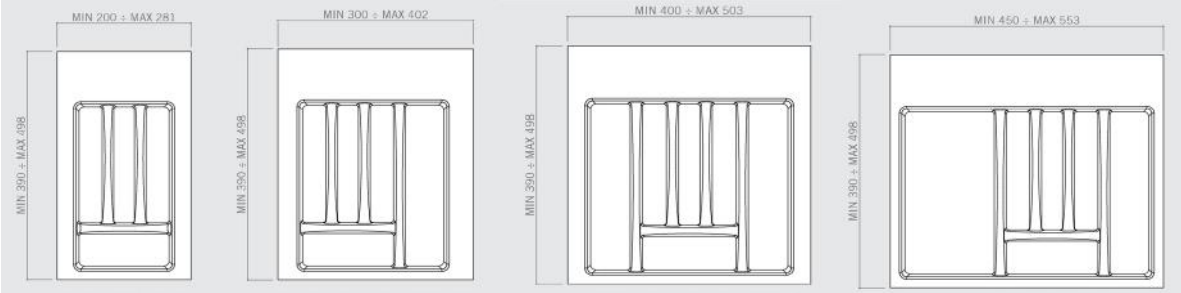
Code	Size	Description	Package
6101	6 cm	Ø 42 Metal Chrome Legs (m8-m10-3/8 Bolt)	100
6102	8 cm	Ø 42 Metal Chrome Legs (m8-m10-3/8 Bolt)	100
6103	10 cm	Ø 42 Metal Chrome Legs (m8-m10-3/8 Bolt)	100
6104	12 cm	Ø 42 Metal Chrome Legs (m8-m10-3/8 Bolt)	50
6105	15 cm	Ø 42 Metal Chrome Legs (m8-m10-3/8 Bolt)	50



Waste Bin & Cutlery Trays



Code	Colour	Size	Pcs/Box	Box Weight
7015	Antrachite	15 Litre	8	16,30 kg
7030	Grey	30-35 cm	20	8,5 kg
7040	Grey	40-45 cm	20	12,5 kg
7050	Grey	50-55 cm	20	16 kg
7060	Grey	55-60 cm	20	16,5 kg





DECO LIGNUM
ORMAN ÜRÜNLERİ

Office Adres: Yeşilirmak Caddesi No:10 Kat 2/5 Azizoğlu Plaza KEPEZ / ANTALYA

Gsm: +90 533 594 06 76 / 0542 480 0765

E-Posta: info@decolignum.com.tr

www.decolignum.com

-  Deco Lignum
-  deco lignum
-  deco.lignum
-  DecoLignum